

Dell™ PowerEdge™ 2900 Systems

Getting Started With Your System

Začínáme se systémem

Guide de mise en route

Erste Schritte mit dem System

Τα πρώτα βήματα Με το σύστημά σας

Rozpoczęcie pracy z systemem

Начало работы с системой

Procedimientos iniciales con el sistema

תחילת העבודה עם המערכת

Model ECM01

Dell™ PowerEdge™ 2900 Systems

Getting Started With Your System

Notes, Notices, and Cautions



NOTE: A NOTE indicates important information that helps you make better use of your computer.



NOTICE: A NOTICE indicates either potential damage to hardware or loss of data and tells you how to avoid the problem.



CAUTION: A CAUTION indicates a potential for property damage, personal injury, or death.

Information in this document is subject to change without notice.

© 2005 Dell Inc. All rights reserved.

Reproduction in any manner whatsoever without the written permission of Dell Inc. is strictly forbidden.

Trademarks used in this text: *Dell* and the *DELL* logo are trademarks of Dell Inc.; *Intel* and *Xeon* are registered trademarks of Intel Corporation; *Microsoft* and *Windows* are registered trademark and *Windows Server* is a trademark of Microsoft Corporation; *Novell* and *NetWare* are registered trademarks of Novell, Inc.; *Red Hat* is a registered trademark of Red Hat, Inc.; *SUSE* is a registered trademark of SUSE LINUX Products GmbH.

Other trademarks and trade names may be used in this document to refer to either the entities claiming the marks and names or their products. Dell Inc. disclaims any proprietary interest in trademarks and trade names other than its own.

Model ECM01

November 2005

P/N FD152

Rev. A00

System Features

The major hardware and software features of your system include:

- One or two Dual-Core Intel® Xeon® Processors 5000 Sequence.
- Support for symmetric multiprocessing (SMP), which is available on systems with two Intel Xeon processors. SMP greatly improves overall system performance by dividing processor operations between independent processors. To take advantage of this feature, you must use an operating system that supports multiprocessing.



NOTE: If you decide to upgrade your system by installing a second processor, you must order the processor upgrade kits from Dell. Not all versions of the Intel Xeon processor will work properly as additional processors. The upgrade kit from Dell contains the correct version of the processor, heat sink, and fan as well as the instructions for performing the upgrade.

- A minimum of 512 MB of 533 or 667 MHz (when available), Fully Buffered DIMMs (FBD), upgradable to a maximum of 48 GB by installing combinations of 256-MB, 512-MB, 1-GB, 2-GB, or 4-GB memory modules in the twelve memory module sockets on the system board.

The system also features redundant memory, which provides memory sparing or memory mirroring. Either feature is available if eight or twelve identical memory modules are installed.

- Support for up to ten 3.5-inch, internal hot-pluggable Serial-Attached SCSI (SAS) or SATA hard drives (eight 3.5-inch internal hard drives with hot-pluggable backplane board, and support for two additional hot-pluggable 3.5-inch drives in the peripheral bay using the optional 1x2 flexbay backplane board).
- Peripheral bay provides support for an optional optical drive and an optional half-height tape backup unit (TBU). A full-height TBU is supported with the 1x2 flexbay bracket removed.
- An optional single, 1.44-MB, 3.5-inch diskette drive.
- An optional CD, DVD, or combination CD-RW/DVD drive.



NOTE: DVD devices are data only.

- An intrusion switch that signals the appropriate systems management software if the top cover is opened.
- Up to two hot-pluggable, 930-W power supplies in a 1 + 1 redundant configuration.
- Six hot-pluggable system cooling fans.

The system board includes the following features:

- Six PCI slots located in an expansion-card cage. Slots 1 and 2 are 3.3-V, 64-bit, 133-MHz PCI-X slots; slot 3 is a 3.3-V, PCIe x8 lane; slots 4 through 6 are 3.3-V, PCIe x4 lanes. Expansion-card slots accommodate full-height, full-length expansion cards. PCIe slots accommodate up to x8 expansion cards.
- Dedicated PCI slot for an integrated SAS host bus adapter or an optional integrated RAID controller card with 256 MB of cache memory and a RAID battery.



NOTE: System boot is not supported from an external device attached to a SAS or SCSI adapter, including SAS 5/E, PERC 5/E, or PERC 4e/DC. See support.dell.com for the latest support information about booting from external devices.

- Two integrated Gigabit Ethernet NICs, capable of supporting 10-Mbps, 100-Mbps, and 1000-Mbps data rates.
- Six USB 2.0-compliant connectors (two on the front and four on the back) capable of supporting a diskette drive, a CD-ROM or DVD-ROM drive, a keyboard, a mouse, or a USB flash drive.
- Optional remote access controller (RAC) for remote systems management.
- An integrated VGA-compatible video subsystem with an ATI ES1000, 33-MHz PCI video controller. This video subsystem contains 16 MB of DDR SDRAM video memory (nonupgradable). Maximum resolution is 1600 x 1200 with 64 K colors; true-color graphics are supported in the following resolutions: 640 x 480, 800 x 600, 1024 x 768, 1152 x 864, and 1280 x 1024. When the optional RAC is installed, the video resolution is 1024 X 768.
- Systems management circuitry that monitors operation of the system fans as well as critical system voltages and temperatures. The systems management circuitry works in conjunction with the systems management software.
- Standard baseboard management controller with serial access.
- Back-panel connectors include one serial, one video, four USB, and two NIC connectors.
- Front-panel connectors include a video and two USB connectors.
- Front-panel 1x5 LCD for system ID and error messaging.
- System ID button on the front and back panels.


For more information about specific features, see "Technical Specifications" on page 10.

Supported Operating Systems

- Microsoft® Windows Server™ 2003 Standard and Enterprise Editions
- Microsoft Windows Small Business Server 2003, Standard and Premium Editions
- Microsoft Windows Server 2003 Standard and Enterprise x64 Editions
- Red Hat® Enterprise Linux AS and ES (version 3 and version 4) for Intel x86

- Red Hat Enterprise Linux AS and ES (version 4) for Intel Extended Memory 64 Technology (Intel EM64T)
- SUSE® Linux Enterprise Server 9 for Intel EM64T
- Novell® NetWare® 6.5 (when available; not available factory-installed)

Other Information You May Need

 **CAUTION:** The *Product Information Guide* provides important safety and regulatory information. Warranty information may be included within this document or as a separate document.

- The *Rack Installation Instructions* or *Rack Installation Guide* included with your rack solution describes how to install your system into a rack.
- The *Hardware Owner's Manual* provides information about system features and describes how to troubleshoot the system and install or replace system components. The *Hardware Owner's Manual* is available on the CDs that came with your system or on support.dell.com.
- CDs included with your system provide documentation and tools for configuring and managing your system.
- Release notes or readme files may be included to provide last-minute updates to the system or documentation or advanced technical reference material intended for experienced users or technicians.

Obtaining Technical Assistance


If you do not understand a procedure in this guide or if the system does not perform as expected, see your *Hardware Owner's Manual*.

Dell Enterprise Training and Certification is available; see www.dell.com/training for more information. This service may not be offered in all locations.

Installation and Configuration

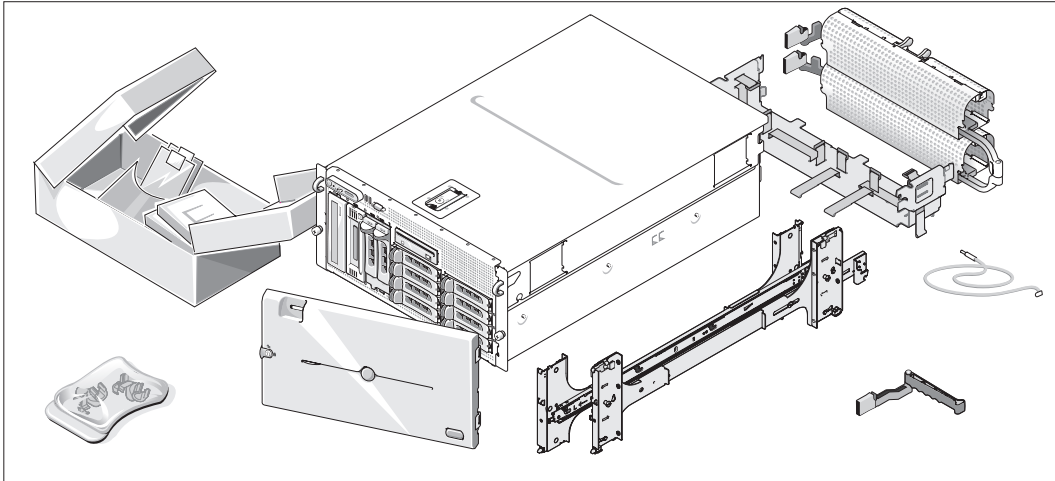
 **CAUTION:** Before performing the following procedure, read and follow the safety instructions and important regulatory information in your *Product Information Guide*.

This section describes the steps to set up your system for the first time. The illustrations that follow show a rack-mounted system, but the installation procedure applies in large part to a stand-alone tower system. In place of the rack installation in step 2, refer to the documentation included with your system on installing the stabilizer feet on your system.

 **CAUTION:** Installing the feet on a stand-alone tower system is necessary to provide a stable foundation for the system. Failure to install the feet poses the risk of having the system tip over, possibly causing bodily injury or damage to the system.

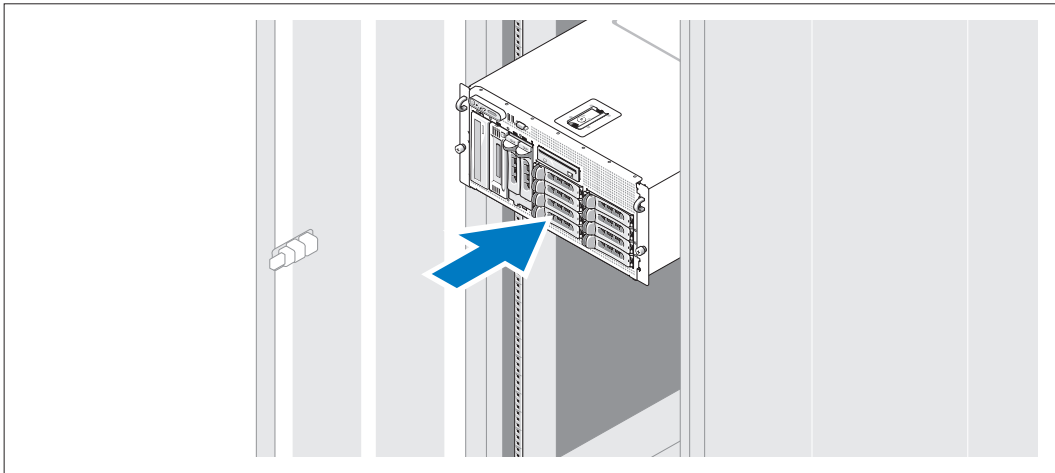
 **CAUTION:** Whenever you need to lift the system, get others to assist you. To avoid injury, do not attempt to lift the system by yourself.

Unpacking the System



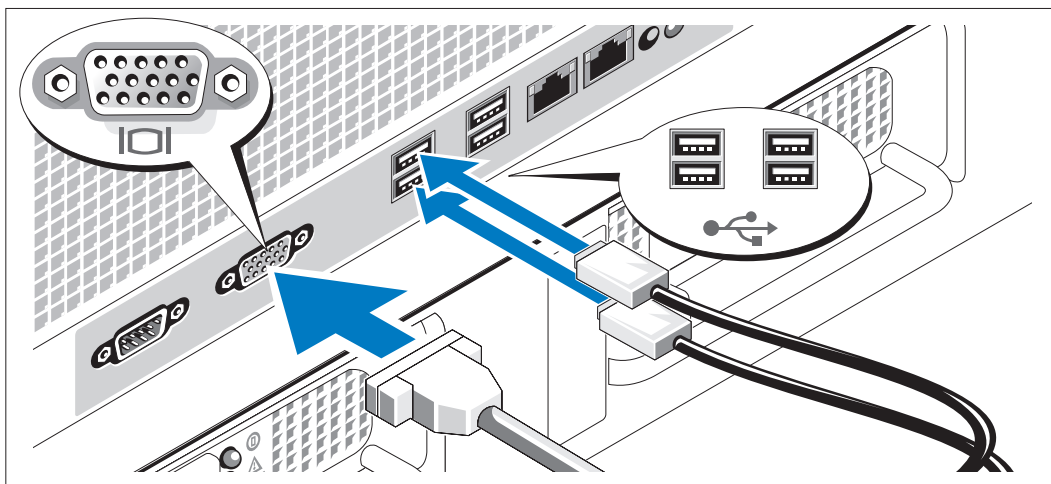
- 1 Unpack your system and identify each item.
Keep all shipping materials in case you need them later.

Installing the Rails and System in a Rack



- 2 Once you have read the "Safety Instructions" located in the rack installation documentation for your system, install the rails and the system in the rack.
See your rack installation documentation for instructions on installing your system in a rack.
For a tower system, see the documentation included with your system on installing the system stabilizer feet.

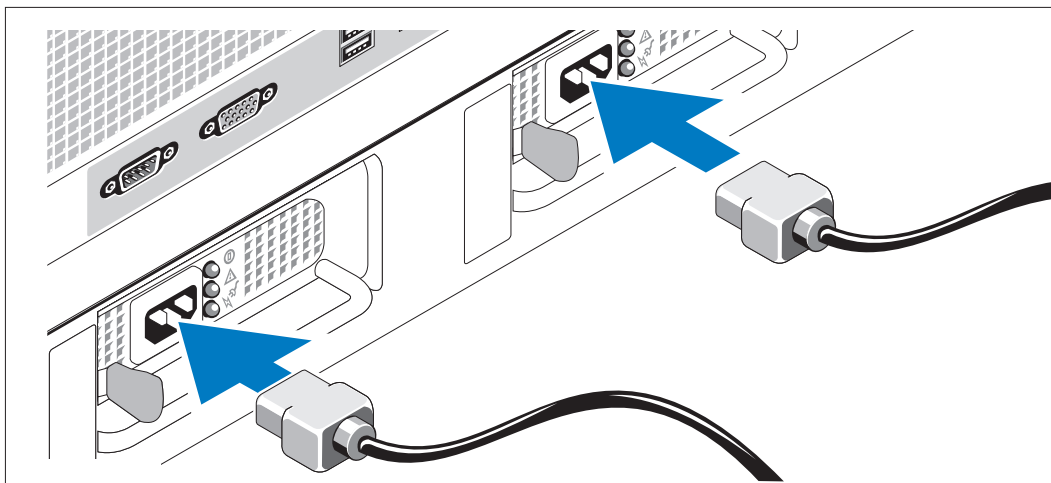
Connecting the Keyboard, Mouse, and Monitor



- 3 Connect the keyboard, mouse, and monitor (optional).

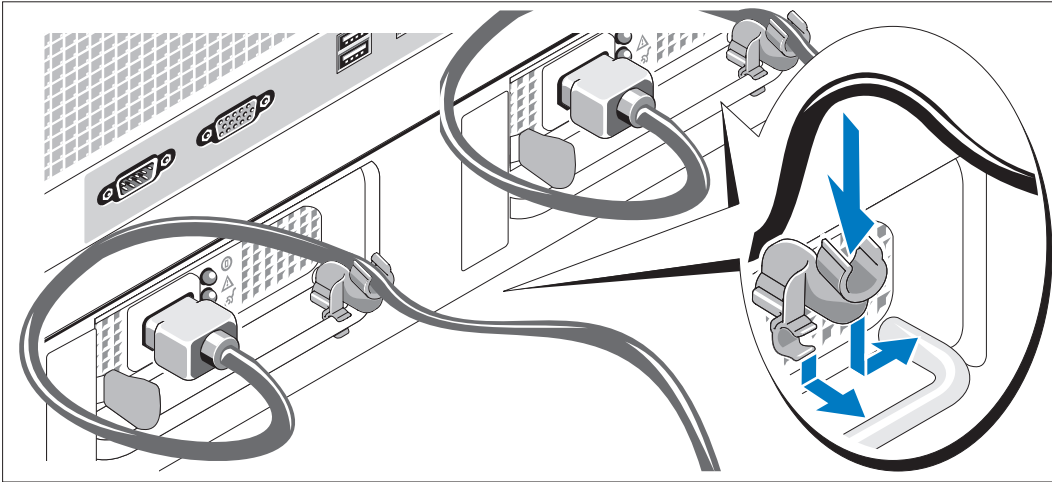
The connectors on the back of your system have icons indicating which cable to plug into each connector. Be sure to tighten the screws (if any) on the monitor's cable connector.

Connecting the Power



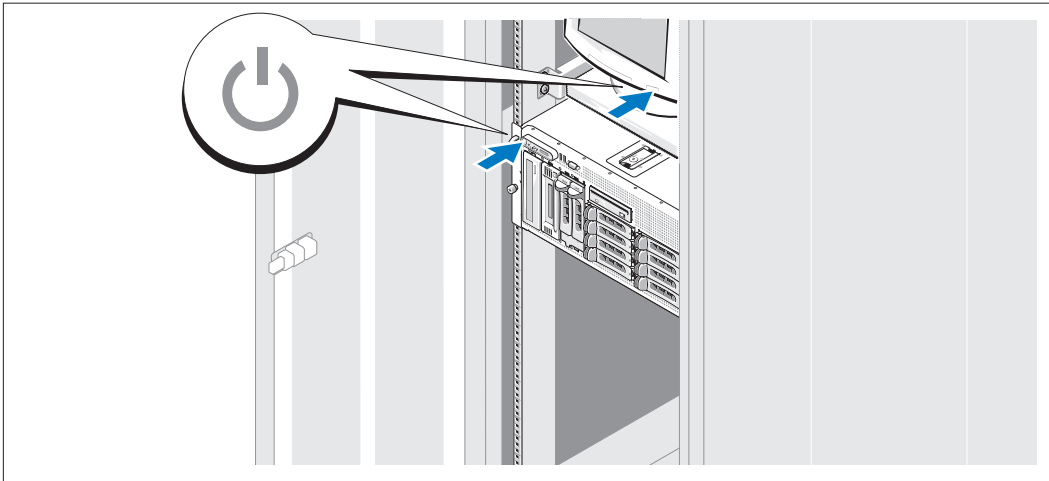
- 4 Connect the system's power cable(s) to the system.
- 5 Plug the other end of the cable into a grounded electrical outlet or a separate power source such as an uninterruptible power supply (UPS) or a power distribution unit (PDU).

Installing the Power Cord Retention Bracket



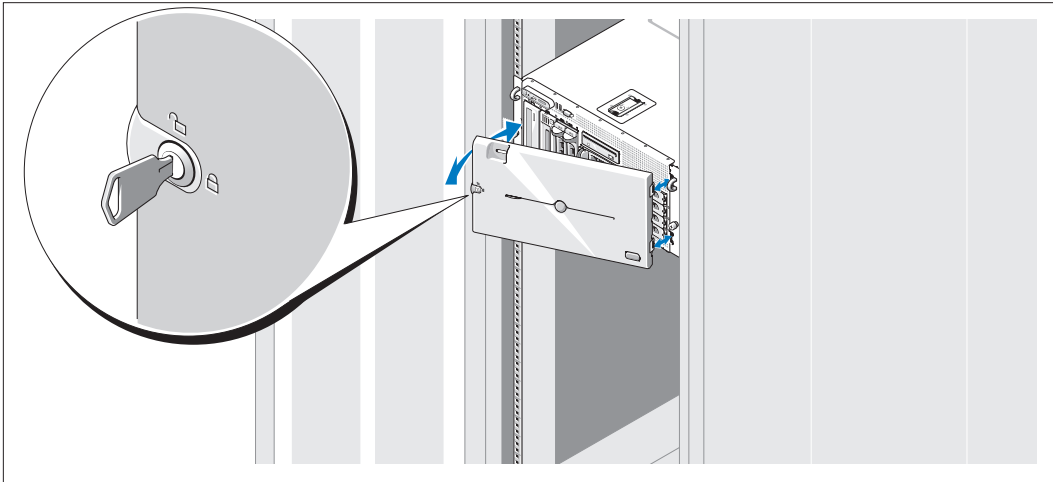
- 6 Attach the power cord retention bracket on the right bend of the power supply handle. Bend the system power cable into a loop as shown in the illustration and attach to the bracket's cable clasp. Repeat the procedure for the second power supply.

Turning on the System



- 7 Turn on the system and monitor (optional).
Press the power button on the system and the monitor. The power indicators should light. Adjust the monitor's controls until the displayed image is satisfactory.

Installing the Bezel



- 8 Install the bezel (optional).

Complete the Operating System Setup

If you purchased a preinstalled operating system, see the operating system documentation that ships with your system. To install an operating system for the first time, see the *Quick Installation Guide*. Be sure the operating system is installed before installing hardware or software not purchased with the system.

Technical Specifications

| Processor | |
|------------------|--|
| Processor type | One or two Dual-Core Intel Xeon Processors 5000 Sequence |

| Expansion Bus | |
|----------------------|--|
| Bus type | PCI, PCI-X, PCIe |
| Expansion slots | |
| PCI-X | two full-height, full-length 3.3-V, 64-bit, 133-MHz (slots 1 and 2) |
| PCIe | one x8 lane, 3.3-V (slot 3) three x4 lanes, 3.3-V (slots 4 through 6) |

| Memory | |
|--------------------------|--|
| Architecture | 533 or 667 MHz (when available) Fully Buffered DIMMs (FBD) |
| Memory module sockets | twelve 240-pin |
| Memory module capacities | 256 MB, 512 MB, 1 GB, 2 GB, or 4 GB |
| Minimum RAM | 512 MB (two 256-MB module) |
| Maximum RAM | 48 GB |

| Drives | |
|----------------|--|
| Hard drives | up to ten 3.5-inch, internal, hot-plug SAS or SATA <ul style="list-style-type: none">• eight drives in the internal drive bay• two drives in the optional 1x2 flexbay backplane expansion |
| Diskette drive | one optional 3.5-inch, 1.44-MB external optional USB 3.5-inch, 1.44-MB |
| Optical drive | one optional CD, DVD, or combination CD-RW/DVD NOTE: DVD devices are data only. external optional USB CD-ROM external optional USB DVD-ROM |
| Flash drive | external optional USB |

| Connectors | |
|---|--|
| Back | |
| NIC | Two TOE-capable RJ-45 (for integrated 1-GB NICs) |
| Serial | 9-pin, DTE, 16550-compatible |
| USB | Four 4-pin, USB 2.0-compliant |
| Video | 15-pin VGA |
| Front | |
| Video | 15-pin VGA |
| USB | Two 4-pin, USB 2.0-compliant |
| Video | |
| Video type | ATI ES1000 video controller; VGA connectors |
| Video memory | 16 MB of DDR SDRAM |
| Power | |
| AC power supply (per power supply) | |
| Wattage | 930 W |
| Voltage | 90–264 VAC, autoranging, 47–63 Hz |
| Heat dissipation | 2697 BTU/hr maximum |
| Maximum inrush current | Under typical line conditions and over the entire system ambient operating range, the inrush current may reach 55 A per power supply for 10 ms or less |
| Batteries | |
| System battery | CR 2032 3.0-V lithium ion coin cell |
| RAID battery (optional) | 4.1-V lithium ion |
| Physical | |
| Rack | |
| Height | 21.77 cm (8.57 in) |
| Width | 44.27 cm (17.43 in) chassis only 48.27 cm (19 in) with rack flanges |

Physical (continued)

| | |
|--------------------------------|---|
| Depth | 66.13 cm (26.04 in) does not include control panel or bezel; control panel adds an additional 1.3 cm (.51 in) |
| Weight (maximum configuration) | 45.36 kg (100 lb) |
| Tower (without bezel) | |
| Height | 47.89 cm (18.85 in) with feet, no casters |
| Width | 22.66 cm (8.92 in) |
| Depth | 66.13 cm (26.04 in) does not include control panel or bezel; control panel adds an additional 1.3 cm (.51 in) |
| Weight (maximum configuration) | 49.9 kg (110 lb) |

Environmental

NOTE: For additional information about environmental measurements for specific system configurations, see www.dell.com/environmental_datasheets.

Temperature

| | |
|-----------|------------------------------|
| Operating | 10° to 35°C (50° to 95°F) |
| Storage | -40° to 65°C (-40° to 149°F) |

Relative humidity

| | |
|-----------|--|
| Operating | 20% to 80% (noncondensing) with a maximum humidity gradation of 10% per hour |
| Storage | 5% to 95% (noncondensing) |

Maximum vibration

| | |
|-----------|--|
| Operating | 0.26 G from 5–350Hz for 2 min in the Z axis |
| Storage | 1.54 G from 10–250 Hz for 15 min in all orientations |

Maximum shock

| | |
|-----------|---|
| Operating | One shock pulse in the positive z axis (one pulse on each side of the system) of 41 G for up to 2 ms |
| Storage | Six consecutively executed shock pulses in the positive and negative x, y, and z axes (one pulse on each side of the system) of 71 G for up to 2 ms |




Altitude

| | |
|-----------|------------------------------------|
| Operating | -16 to 3048 m (-50 to 10,000 ft) |
| Storage | -16 to 10,600 m (-50 to 35,000 ft) |

Dell™ PowerEdge™ 2900 Systems

Začínáme se systémem

Poznámky, upozornění a výstrahy

-  **POZNÁMKA:** POZNÁMKA označuje důležitou informaci, která vám pomůže při lepším využívání vašeho počítače.
-  **UPOZORNĚNÍ:** UPOZORNĚNÍ poukazuje na možnost poškození hardwaru nebo ztráty dat a poskytuje návod, jak se danému problému vyhnout.
-  **POZOR:** Výstraha („POZOR“) poukazuje na riziko poškození majetku, poranění nebo smrtelného úrazu.

Informace obsažené v tomto dokumentu podléhají změnám bez předchozího upozornění.

© 2005 Dell Inc. Všechna práva vyhrazena.

Reprodukce jakýmkoli způsobem bez písemného povolení společnosti Dell Computer Corporation je přísně zakázána.

Ochranné známky použité v tomto textu: *Dell* a logo *DELL* jsou ochranné známky společnosti Dell Inc.; *Intel* a *Xeon* jsou registrované ochranné známky společnosti Intel; *Microsoft* a *Windows* jsou registrované ochranné známky a *Windows Server* je ochranná známka společnosti Microsoft; *Novell* a *NetWare* jsou registrované ochranné známky společnosti Novell, Inc.; *Red Hat* je registrovaná ochranná známka společnosti Red Hat, Inc.; *SUSE* je registrovaná ochranná známka společnosti SUSE LINUX Products GmbH.

V tomto dokumentu mohou být použity další ochranné známky a obchodní názvy odkazující na subjekty, kterým tyto známky či názvy patří, nebo na jejich výrobky. Společnost Dell Inc. se zřiká jakýchkoli vlastnických zájmů o jiné než vlastní ochranné známky a obchodní názvy.

Model ECM01

Listopad 2005

P/N FD152

Rev. A00

Systemové funkce

Hlavní hardwarové a softwarové funkce systému jsou:

- Jeden nebo dva dvoujádrové procesory řady Intel® Xeon® 5000.
- Podpora SMP (symmetric multiprocessing), která je k dispozici u systémů se dvěma procesory Intel Xeon. SMP výrazně zvyšuje celkový výkon systému rozdělením procesorových operací mezi nezávislé procesory. Pro využití výhod této funkce je třeba použít operační systém podporující SMP.



POZNÁMKA: Jestliže se rozhodnete pro upgrade vašeho systému instalací druhého procesoru, je nutné objednat procesorovou sadu pro upgrade od společnosti Dell. Ne všechny verze procesorů Intel Xeon jsou na pozici druhého procesoru plně funkční. Sada pro upgrade od společnosti Dell obsahuje správnou verzi procesoru, chladič a ventilátor, jakož i pokyny k provedení upgradu.

- Minimálně 512 MB v paměťových modulech FB-DIMM (fully buffered) s frekvencí 533 nebo 667 MHz (je-li k dispozici), s možností rozšíření až na 48 GB instalací příslušných kombinací paměťových modulů o velikostech 256 MB, 512 MB, 1 GB, 2 GB nebo 4 GB do dvanácti slotů na systémové desce.

System pracuje i s redundantní pamětí, která umožňuje sparing a zrcadlení paměti. Každá z těchto funkcí je k dispozici v případě, že je nainstalováno osm nebo dvanáct identických paměťových modulů.

- Podpora až deseti sériově propojených SCSI (SAS) nebo SATA pevných disků, 3,5 palce, interní hot-plug (osm interních disků 3,5 palce na hot-plug backplane desce a podpora dvou dalších hot-plug disků 3,5 palce v periferní pozici s použitím volitelné 1x2 flexbay backplane desky).
- Periferní pozice (drive bay) poskytuje podporu pro volitelnou optickou mechaniku a volitelné polovysoké páskové zálohovací zařízení. Polovysoké páskové zařízení je možné instalovat v případě, že je demontován držák pro 1x2 flexbay.
- Volitelná jedna disketová mechanika 1,44 MB, 3,5 palce.
- Volitelná CD, DVD mechanika nebo CD-RW/DVD kombo.



POZNÁMKA: DVD zařízení jsou určena pouze pro data.

- Spínač při vniknutí, který předává příslušnému softwaru systémové správy signál v případě, že dojde k otevření vrchního krytu.
- Až dva hot-plug napájecí zdroje 930 W v konfiguraci 1 + 1 záložní.
- Šest hot-plug chladičích ventilátorů.

Systémová deska má následující funkce:

- Šest PCI slotů umístěných v kleci pro rozšiřující karty. Sloty 1 a 2 jsou 3,3 V, 64 bit, 133 MHz PCI-X sloty; slot 3 je 3,3 V, PCIe x8 lane; sloty 4 až 6 jsou 3,3V, PCIe x4 lane. Do slotů pro rozšiřující karty je možné instalovat celovysoké, celodélkové rozšiřující karty. Do slotů PCIe je možné instalovat rozšiřující karty až x8.
- Dedikovaný slot pro integrovaný SAS host bus adaptér nebo volitelnou integrovanou kartu RAID řadiče s 256 MB cache paměti a RAID baterií.



POZNÁMKA: Bootování systému není podporováno z externího zařízení připojeného k adaptéru SAS nebo SCSI, včetně SAS 5/E, PERC 5/E nebo PERC 4e/DC. Aktuální informaci k podpoře při bootování z externích zařízení naleznete na adrese support.dell.com.

- Dvě integrovaná síťové karty Gigabit Ethernet podporující datový přenos rychlostí 10 Mbps, 100 Mbps a 1000 Mbps.
- Šest konektorů USB 2.0 (dva na přední a čtyři na zadní straně) podporující disketovou mechaniku, CD-ROM nebo DVD-ROM mechaniku, klávesnici, myš nebo USB flash disk.
- Volitelný ovladač pro vzdálený přístup umožňující vzdálenou správu systému.
- Integrovaný VGA kompatibilní grafický subsystém s ATI ES1000, 33 MHz PCI grafickou kartou. Tento grafický subsystém disponuje 16 MB DDR SDRAM grafické paměti (bez možnosti rozšíření). Maximální rozlišení je 1600 x 1200 bodů při 64k barev; grafiky true color jsou podporovány v následujících rozlišeních: 640 x 480, 800 x 600, 1024 x 768, 1152 x 864 a 1280 x 1024. Je-li nainstalována volitelná karta ovladače pro vzdálený přístup, je grafické rozlišení 1024 x 768.
- Okruhy systémové správy monitorující funkci systémových ventilátorů a kritická napětí a teploty v systému. Okruhy systémové správy spolupracují se softwarem systémové správy.
- Standardní BMC (baseboard management controller) se sériovým přístupem.
- Konektory na zadním panelu - jeden sériový port, jeden video, čtyři USB a dva síťové konektory.
- Konektory na předním panelu - video a dva USB konektory.
- 1x5 LCD na předním panelu pro zobrazení ID systému a chybových hlášení.
- Tlačítko ID systému na předním a zadním panelu.

Pro více informací o specifických funkcích viz „Technická specifikace“ na straně 22.

Podporované operační systémy

- Microsoft® Windows Server™ 2003 Standard a Enterprise Editions
- Microsoft Windows Small Business Server 2003, Standard a Premium Editions
- Microsoft Windows Server 2003 Standard a Enterprise x64 Editions
- Red Hat® Enterprise Linux AS a ES (verze 3 a verze 4) pro Intel x86
- Red Hat Enterprise Linux AS a ES (verze 4) pro Intel Extended Memory 64 Technology (Intel EM64T)
- SUSE® Linux Enterprise Server 9 pro Intel EM64T
- Novell® NetWare® 6.5 (je-li k dispozici; není k dispozici jako továrně předinstalovaný OS)

Další užitečné informace

 **POZOR: Informační příručka výrobku obsahuje důležité bezpečnostní a právní informace. Informace o záruce je součástí tohoto dokumentu nebo je přiložena samostatně.**

- *Pokyny pro instalaci do stojanu* nebo *Příručka pro instalaci do stojanu* dodané s vaším stojanovým systémem popisují instalaci vašeho systému do stojanu.
- *Uživatelská příručka k hardwaru* obsahuje informaci o funkcích systému a popisuje řešení problémů se systémem a instalaci nebo výměnu systémových komponent. *Uživatelská příručka k hardwaru* je k dispozici na CD, která byla dodána s vaším systémem, nebo na adrese **support.dell.com**.
- CD dodaná se systémem obsahují dokumentaci a nástroje pro konfiguraci a správu vašeho systému.
- Poznámky a soubory „readme“ mohou být také součástí dodávky a obsahují poslední aktualizace k systému nebo dokumentaci, příp. rozšířené technické materiály určené zkušeným uživatelům a technikům.

Odborná pomoc


Nerozumíte-li některému z postupů popsaných v této příručce nebo nepracuje-li systém podle očekávání, nahlédněte do *Uživatelské příručky k hardwaru*.

Společnosti Dell rovněž nabízí trénink a certifikaci (Dell Enterprise Training and Certification); pro více informací navštivte **www.dell.com/training**. Tato služba nemusí být nabízena ve všech regionech.

Instalace a konfigurace

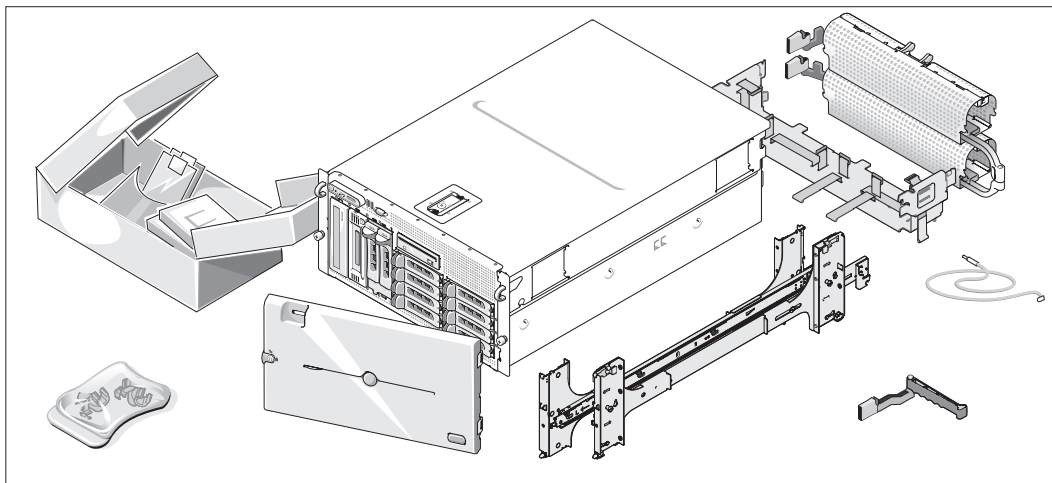
 **POZOR: Před provedením následujícího postupu si přečtěte a postupujte podle bezpečnostních pokynů a důležitých předpisů uvedených v *Informační příručce výrobku*.**

V této části jsou popsány kroky, které je nutné provést při první instalaci vašeho systému. Následující obrázky znázorňují systém instalovaný do stojanu, postup instalace se však většinou vztahuje na samostatně stojící tower systém. Namísto kroku 2, který popisuje instalaci do stojanu, prosím nahlédněte do dokumentace dodané s vaším systémem, ve které je popsán postup instalace stabilizačních noh.

 **POZOR: Instalace stabilizačních noh je u samostatně stojícího tower systému nutná, jen tak lze zajistit stabilní základnu celého systému. Neprovedete-li instalaci stabilizačních noh, hrozí nebezpečí převrácení systému a následného zranění osob nebo poškození systému.**

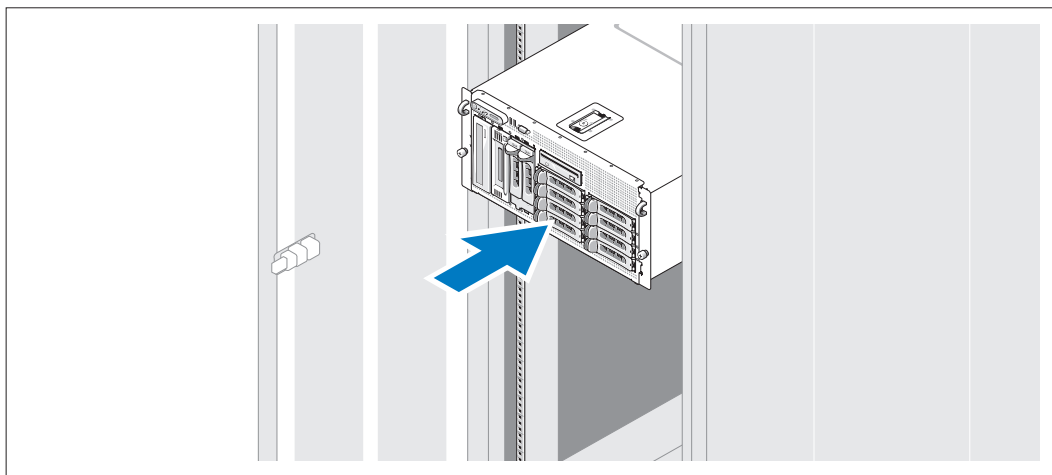
 **POZOR: Při každém zvedání systému požádejte o asistenci. Systém nezvedejte sami, vyvarujete se tak možného zranění.**

Rozbalení systému



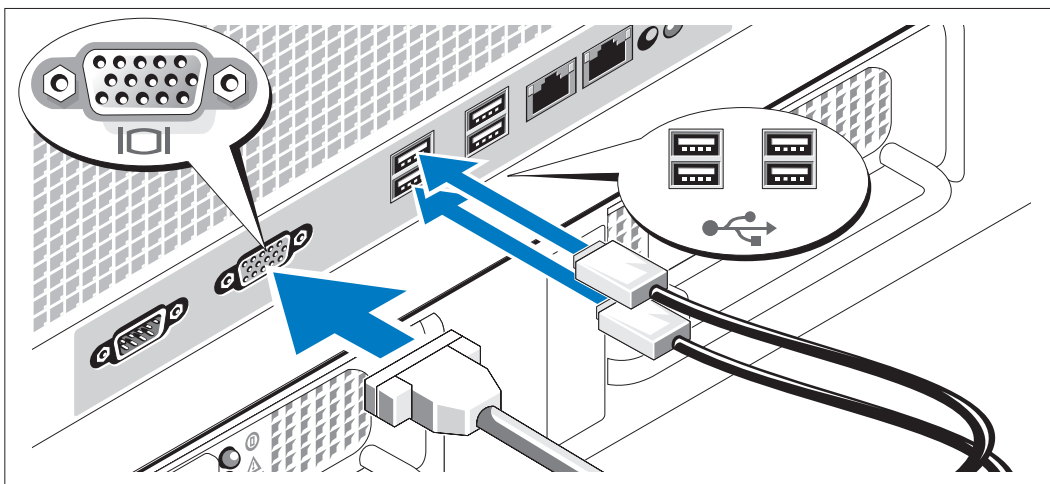
- 1 Rozbalte systém a identifikujte jeho jednotlivé součásti.
Veškerý obalový materiál uschovejte pro případ pozdější potřeby.

Instalace kolejniček a systému do stojanu



- 2 Nejprve si přečtěte „Bezpečnostní pokyny“ uvedené v instalační dokumentaci stojanu a systému, potom proveďte instalaci kolejniček a systém do stojanu.
Pokyny pro instalaci systému do stojanu naleznete v dokumentaci pro instalování stojanu.
U tower systému prosím nahlédněte do dokumentace dodané se systémem, ve které jsou uvedeny pokyny pro instalaci stabilizačních noh.

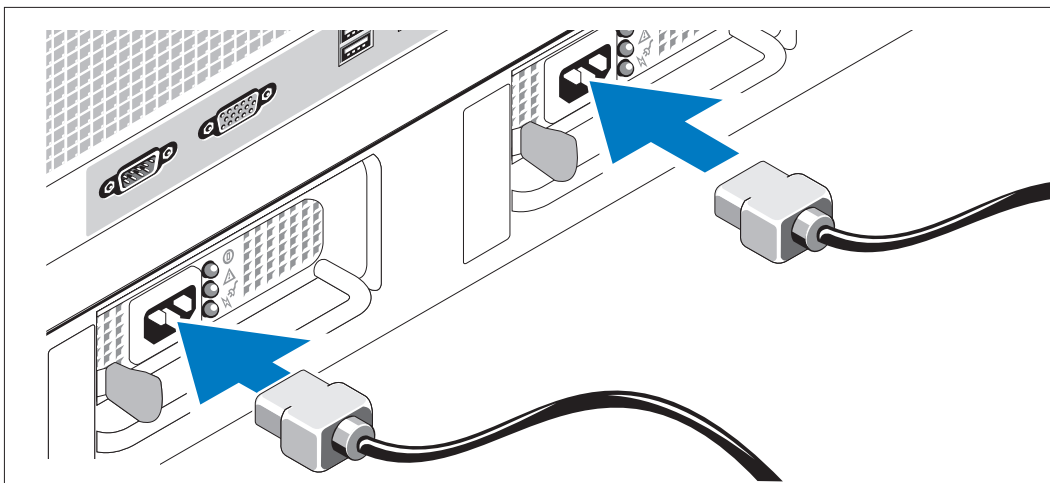
Připojení klávesnice, myši a monitoru



3 Připojte klávesnici, myš a monitor (volitelné).

Konektory na zadní straně systému mají ikony znázorňující, který kabel připojit ke kterému konektoru. Zajistěte, aby šrouby na konektoru kabelu monitoru byly dobře dotaženy (je-li jimi konektor vybaven).

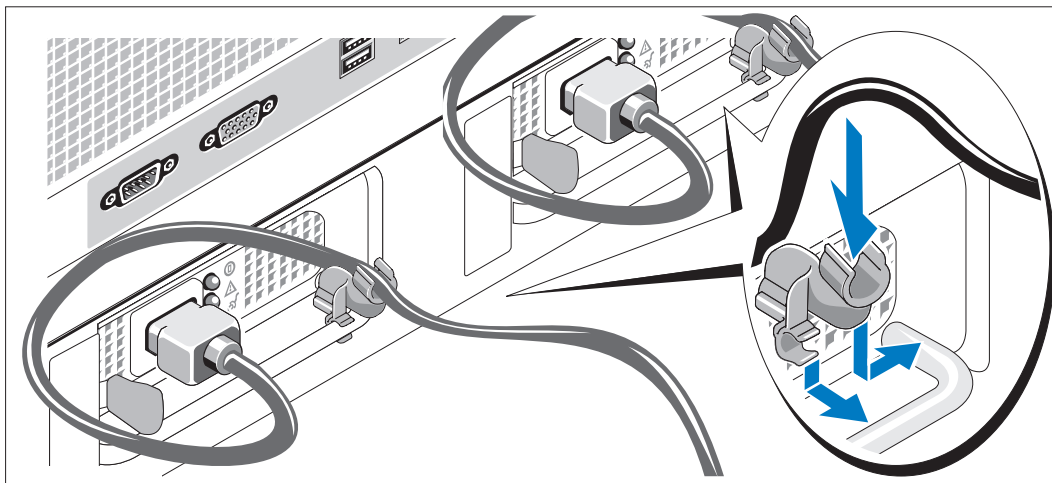
Připojení ke zdroji napětí



4 Připojte napájecí kabel(y) systému do systému.

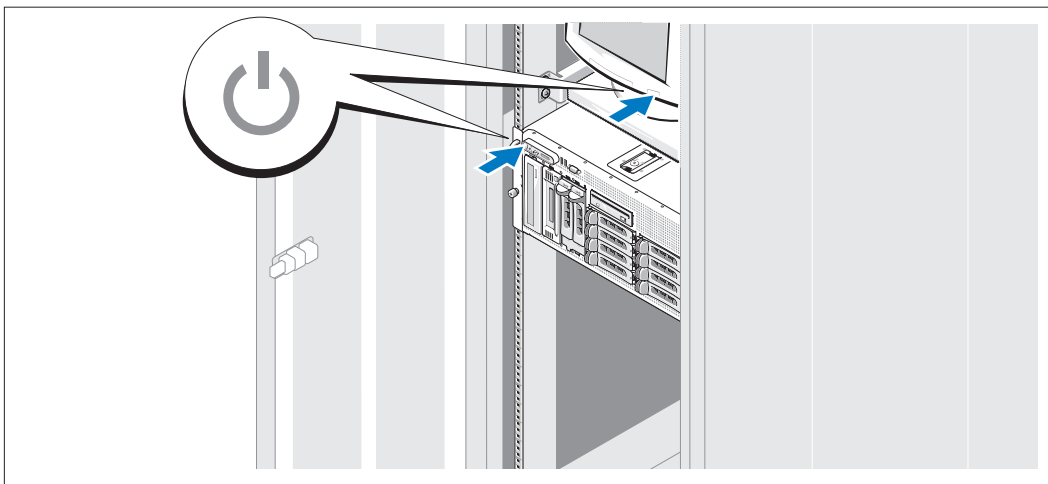
5 Poté zasuňte druhý konec kabelu do uzemněné elektrické zásuvky nebo ho připojte k samostatnému zdroji napájení, například k UPS (Uninterruptible Power Supply - zdroj nepřerušitelného napájení) nebo jednotce rozvaděče (PDU).

Instalace napájecích kabelů do retenčních svorek



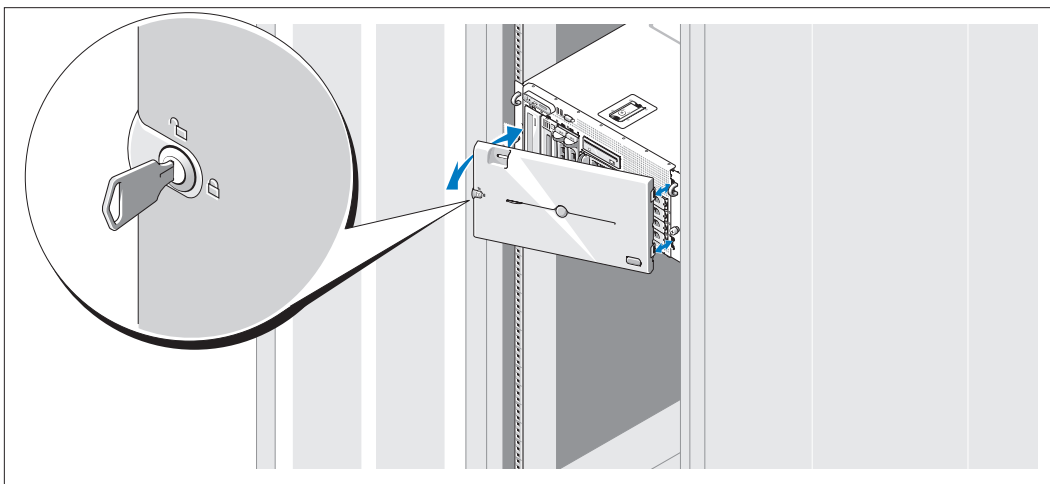
- 6 Připevněte retenční svorku napájecího kabelu do pravého ohybu rukojeti napájecího zdroje. Napájecí kabel ohněte do tvaru oka, jak je znázorněno na obrázku, a připevněte ho do příslušného úchytu. Celý postup zopakujte u druhého napájecího kabelu.

Zapnutí systému



- 7 Zapněte systém a monitor (volitelný).
Stiskněte vypínač na systému a na monitoru. Kontrolky napájení by se měly rozsvítit. Upravte ovládací prvky monitoru tak, aby byl obraz uspokojivý.

Instalace čelního krytu



- 8 Nainstalujte čelní kryt (volitelný).

Dokončení nastavení operačního systému

Jestliže jste zakoupili systém s předinstalovaným operačním systémem, nahlédněte do dokumentace k operačnímu systému, která byla se systémem dodána. Pokyny k první instalaci operačního systému viz *Příručka rychlé instalace*. Dříve než začnete s instalací hardwaru či softwaru, který nebyl zakoupen společně se systémem, se ujistěte, že máte nainstalovaný operační systém.

Technická specifikace

| | |
|-----------------------------|--|
| Procesor | |
| Typ procesoru | Jeden nebo dva dvoujádrové procesory řady Intel Xeon 5000 |
| Rozšiřující sběrnice | |
| Typ sběrnice | PCI, PCI-X, PCIe |
| Rozšiřující sloty | |
| PCI-X | dva celovysoké, celodélkové 3,3 V, 64 bit, 133 MHz (sloty 1 a 2) |
| PCIe | jeden x8 lane 3,3 V (slot 3) tři x4 lane 3,3 V (sloty 4 až 6) |
| Paměť | |
| Architektura | 533 nebo 667 MHz (je-li k dispozici) FB-DIMM (fully buffered) |
| Sloty pro paměťové moduly | dvanáct 240-pin |
| Kapacity paměťových modulů | 256 MB, 512 MB, 1 GB, 2 GB nebo 4 GB |
| Min. RAM | 512 MB (dva moduly 256 MB) |
| Max. RAM | 48 GB |
| Disky | |
| Pevné disky | až deset SAS nebo SATA pevných disků, 3,5 palce, interní, hot-plug <ul style="list-style-type: none">• osm disků v interní drive bay• dva disky ve volitelném 1x2 flexbay backplane rozšíření |
| Disketová mechanika | jedna volitelná 3,5 palce, 1,44 MB externí volitelná USB, 3,5 palce, 1,44 MB |
| Optické mechaniky | jedna volitelná CD, DVD mechanika nebo CD-RW/DVD kombo POZNÁMKA: DVD zařízení jsou určena pouze pro data. externí volitelná USB CD-ROM mechanika externí volitelná USB DVD-ROM mechanika |
| Flash disk | externí volitelný USB disk |

Konektory

Vzadu

| | |
|---------|--|
| Síťové | dva RJ-45 s podporou TOE (pro integrovanou síťovou kartu 1 GB) |
| Sériové | 9-pin, DTE, 16550 kompatibilní |
| USB | čtyři 4-pin, USB 2.0 kompatibilní |
| Video | 15-pin VGA |

Vpředu

| | |
|-------|---------------------------------|
| Video | 15-pin VGA |
| USB | dva 4-pin, USB 2.0 kompatibilní |

Grafika

| | |
|----------------|--|
| Typ grafiky | grafická karta ATI ES1000; VGA konektory |
| Grafická paměť | 16 MB DDR SDRAM |

Napájení

Střídavý proud (na jeden napájecí zdroj)

| | |
|---------------------|---|
| Výkon | 930 W |
| Napětí | 90 - 264 VAC, automatické přepínání rozsahu, 47 - 63 Hz |
| Odvod tepla | 2697 BTU/hod. max. |
| Max. zapínací proud | V typických podmínkách napájení a v celém provozním rozsahu systému může zapínací (nárazový) proud dosáhnout 55 A na jeden napájecí zdroj po dobu 10 ms nebo méně |

Baterie

| | |
|--------------------------|--|
| Systémová baterie | CR 2032 3,0 V lithium-iontová článková baterie |
| RAID baterie (volitelná) | 4,1 V lithium-iontová baterie |

Rozměry

Stojan

| | |
|-----------------------------|---|
| Výška | 21,77 cm (8,57 palců) |
| Šířka | 44,27 cm (17,43 palců) pouze šasi 48,27 cm (19 palců) se stojanovými přírubami |
| Hloubka | 66,13 cm (26,04 palců) bez ovládacího panelu nebo čelního krytu; s ovl. panelem + 1,3 cm (0,51 palců) |
| Hmotnost (max. konfigurace) | 45,36 kg (100 lb) |

Rozměry (pokračování)

Tower (bez čelního krytu)

| | |
|-----------------------------|---|
| Výška | 47,89 cm (18,85 palců) s nohami, bez patek |
| Šířka | 22,66 cm (8,92 palců) |
| Hloubka | 66,13 cm (26,04 palců) bez ovládacího panelu nebo čelního krytu; s ovl. panelem + 1,3 cm (0,51 palců) |
| Hmotnost (max. konfigurace) | 49,9 kg (110 lb) |

Prostředí

POZNÁMKA: Další informace o měřených údajích prostředí najdete pro jednotlivé systémové konfigurace na adrese www.dell.com/environmental_datasheets.

Teplota

| | |
|------------|------------------------------|
| provozní | 10 až 35 °C (50 až 95 °F) |
| skladovací | -40 až 65 °C (-40 až 149 °F) |

Relativní vlhkost

| | |
|------------|--|
| provozní | 20% až 80% (bez kondenzace) s max. vlhkostním gradientem 10% za hodinu |
| skladovací | 5% až 95% (bez kondenzace) |

Max. vibrace

| | |
|------------|--|
| provozní | 0,26 G v rozmezí 5 - 350 Hz po dobu 2 minut vose z |
| skladovací | 1,54 G v rozmezí 10 - 250 Hz po dobu 15 minut ve všech směrech |

Max. ráz

| | |
|------------|--|
| provozní | Jeden rázový impuls v kladné ose z (jeden impuls na každé straně systému) o síle 41 G v délce do 2 ms |
| skladovací | Šest po sobě jdoucích rázových impulsů v kladné i záporné ose x, y, a z (jeden impuls na každé straně systému) o síle 71 G v délce do 2 ms |

Nadmořská výška

| | |
|------------|------------------------------------|
| provozní | -16 až 3048 m (-50 až 10000 stop) |
| skladovací | -16 až 10600 m (-50 až 35000 stop) |

Systemes Dell™ PowerEdge™ 2900

Guide de mise en route

Remarques, avis et précautions



REMARQUE : une REMARQUE indique des informations importantes qui peuvent vous aider à mieux utiliser votre ordinateur.



AVIS : un AVIS vous avertit d'un risque de dommage matériel ou de perte de données et vous indique comment éviter le problème.



PRÉCAUTION : une PRÉCAUTION indique un risque potentiel d'endommagement du matériel, de blessure corporelle ou de mort.

Les informations contenues dans ce document peuvent être modifiées sans préavis.

© 2005 Dell Inc. Tous droits réservés.

La reproduction de ce document de quelque manière que ce soit sans l'autorisation écrite de Dell Inc. est strictement interdite.

Marques utilisées dans ce document : *Dell* et le logo *DELL* sont des marques de Dell Inc. ; *Intel* et *Xeon* sont des marques déposées de Intel Corporation ; *Microsoft* et *Windows* sont des marques déposées de Microsoft Corporation ; *Windows Server* est une marque de Microsoft Corporation ; *Novell* et *NetWare* sont des marques déposées de Novell, Inc. ; *Red Hat* est une marque déposée de Red Hat, Inc. ; *SUSE* est une marque déposée de SUSE LINUX Products GmbH.

Tous les autres noms de marques et marques commerciales utilisés dans ce document se rapportent aux sociétés propriétaires des marques et des noms de ces produits. Dell Inc. décline tout intérêt dans l'utilisation des marques déposées et des noms de marques ne lui appartenant pas.

Modèle ECM01

Novembre 2005

P/N FD152

Rev. A00

Caractéristiques du système

Les caractéristiques principales du système sont les suivantes :

- Un ou deux processeurs double cœur Intel® Xeon® 5000.
- Prise en charge du SMP (Symmetric Multiprocessing [multi-traitement symétrique]), disponible sur les systèmes dotés de deux processeurs Intel Xeon. Le SMP améliore considérablement les performances du système en partageant les tâches des processeurs entre des processeurs indépendants. Pour utiliser cette fonctionnalité, vous devez utiliser un système d'exploitation prenant en charge le multi-traitement.



REMARQUE : si vous décidez de mettre le système à niveau en installant un second processeur, vous devez commander les kits de mise à niveau de processeur chez Dell. Certaines versions du processeur Intel Xeon ne fonctionnent pas correctement comme processeurs supplémentaires. Le kit de mise à niveau de Dell contient la version de processeur correcte, le dissipateur de chaleur et le ventilateur ainsi que les instructions de mise à niveau.

- Un minimum de 512 Mo sous forme de barrettes DIMM FBD (Fully Buffered DIMM), 533 à 667 MHz (selon disponibilité), extensibles à un maximum de 48 Go via l'installation de combinaisons de barrettes de 256 Mo, 512 Mo, 1 Go, 2 Go ou 4 Go dans les douze emplacements pour barrettes mémoire de la carte système.

Le système est également équipé d'une mémoire redondante, ce qui permet de bénéficier d'une réserve utilisée en cas de défaillance, ou d'une fonction de mise en miroir de la mémoire. Ces fonctions sont disponibles si huit ou douze des modules de mémoire installés sont identiques.

- Prise en charge possible de dix disques durs 3,5 pouces SAS ou SATA internes et enfichables à chaud (huit avec une carte de fond de panier enfichable à chaud, et deux lecteurs supplémentaires dans la baie de périphériques avec la carte de fond de panier FlexBay 1x2 en option).
- La baie de périphériques peut aussi recevoir les options suivantes : un lecteur optique et un périphérique de sauvegarde sur bande (TBU) de mi-hauteur. Une TBU pleine hauteur peut être installée si le support de la carte de fond de panier FlexBay 1x2 est retiré.
- Un lecteur de disquette de 1,44 Mo/3,5 pouces, en option
- Un lecteur de CD ou de DVD ou un lecteur combiné CD-RW/DVD (tous deux en option)



REMARQUE : les périphériques DVD sont uniquement des périphériques de données.

- Un détecteur d'intrusion qui transmet une alerte au logiciel de gestion des systèmes approprié en cas d'ouverture du capot de l'ordinateur.
- Jusqu'à deux blocs d'alimentation de 930 W enfichables à chaud dans une configuration redondante 1 + 1.
- Six ventilateurs de refroidissement enfichables à chaud.

La carte système contient les éléments suivants :

- Six logements PCI situés dans un bâti de cartes d'extension. Logements 1 et 2 : PCI-X 64 bits à 3,3 V et 133 MHz. Logement 3 : PCIe x8 à 3,3 V. Logements 4 à 6 : PCIe x4 à 3,3 V. Les logements de cartes d'extension permettent d'installer des cartes d'extension pleine hauteur et pleine longueur. Le format maximal pris en charge par les logements PCIe pour les cartes d'extension est x8.
- Logement PCI réservé pour un adaptateur de bus hôte SAS intégré ou une carte contrôleur RAID intégrée en option avec mémoire cache de 256 Mo et pile RAID.



REMARQUE : le démarrage du système à partir d'un périphérique externe connecté à une carte SAS ou SCSI n'est pas pris en charge (cartes SAS 5/E, PERC 5/E et PERC 4e/DC incluses). Voir le site support.dell.com pour obtenir les informations les plus récentes concernant le démarrage à partir de périphériques externes.

- Deux NIC Ethernet Gigabit intégrés pouvant prendre en charge des débits de données de 10, 100 et 1000 Mbps.
- Six connecteurs USB 2.0 (deux à l'avant et quatre à l'arrière) pour la connexion d'un périphérique externe (lecteur de disquette, de CD-ROM ou de DVD-ROM, clavier, souris ou lecteur flash USB).
- Un contrôleur d'accès à distance en option, pour la gestion de systèmes à distance.
- Un sous-système vidéo compatible VGA intégré avec un contrôleur vidéo PCI ATI ES1000 à 33 MHz. Ce sous-système vidéo contient 16 Mo de mémoire vidéo SDRAM DDR (non extensible). La définition maximale prise en charge est de 1600 x 1200 avec 64 000 couleurs. Les graphiques True-color sont pris en charge dans les définitions suivantes : 640 x 480, 800 x 600, 1024 x 768, 1152 x 864 et 1280 x 1024. Lorsque la carte d'accès à distance en option est installée, la définition vidéo est de 1024 X 768.
- Des circuits intégrés de gestion de systèmes surveillant le fonctionnement des ventilateurs, ainsi que les tensions et les températures critiques. Ces circuits de surveillance fonctionnent de pair avec les logiciels de gestion de systèmes.
- Un contrôleur BMC standard avec accès série.
- Le panneau arrière contient un connecteur vidéo, un port série, quatre connecteurs USB et deux connecteurs de NIC.
- Les connecteurs du panneau avant comprennent un connecteur vidéo et deux connecteurs USB.
- Un écran LCD 1x5 sur le panneau avant, affichant l'ID du système et les messages d'erreur.
- Un bouton d'ID du système sur les panneaux avant et arrière

Pour plus d'informations sur des caractéristiques spécifiques, voir "Spécifications techniques", à la page 34.

Systèmes d'exploitation pris en charge

- Microsoft® Windows Server™ 2003 Standard Edition et Enterprise Edition
- Microsoft Windows Small Business Server 2003, Standard Edition et Premium Edition
- Microsoft Windows Server 2003 Standard Edition et Enterprise x64 Edition
- Red Hat® Enterprise Linux AS et ES (versions 3 et 4) pour Intel x86
- Red Hat Enterprise Linux AS et ES (version 4) pour Intel EM64T
- SUSE® Linux Enterprise Server 9 pour Intel EM64T
- Novell® NetWare® 6.5 (selon disponibilité, non installé en usine)

Autres informations utiles

 **PRÉCAUTION** : le *Guide d'informations sur le produit* contient d'importantes informations se rapportant à la sécurité et aux réglementations. Les informations sur la garantie se trouvent soit dans ce document, soit à part.


- Le document *Instructions d'installation du rack* ou le *Guide d'installation du rack* fournis avec la solution rack décrivent l'installation du système.
- Le document *Hardware Owner's Manual* (Manuel du propriétaire) contient des informations sur les caractéristiques du système, ainsi que des instructions relatives au dépannage et à l'installation ou au remplacement de composants. Il se trouve sur les CD fournis avec le système et sur le site support.dell.com.
- Les CD fournis avec le système contiennent des documents et des outils relatifs à la configuration et à la gestion du système.
- Des notes de version ou des fichiers lisez-moi (readme) sont parfois fournis ; ils contiennent des mises à jour de dernière minute apportées au système ou à la documentation, ou des documents de référence technique avancés destinés aux utilisateurs expérimentés ou aux techniciens.

Obtention d'une assistance technique


Si vous ne comprenez pas une procédure décrite dans ce guide ou si le système ne réagit pas comme prévu, consultez le document *Hardware Owner's Manual* (Manuel du propriétaire).

Des formations et certifications Dell Enterprise sont disponibles. Pour plus d'informations, consultez le site www.dell.com/training. Ce service n'est disponible que dans certains pays.

Installation et configuration

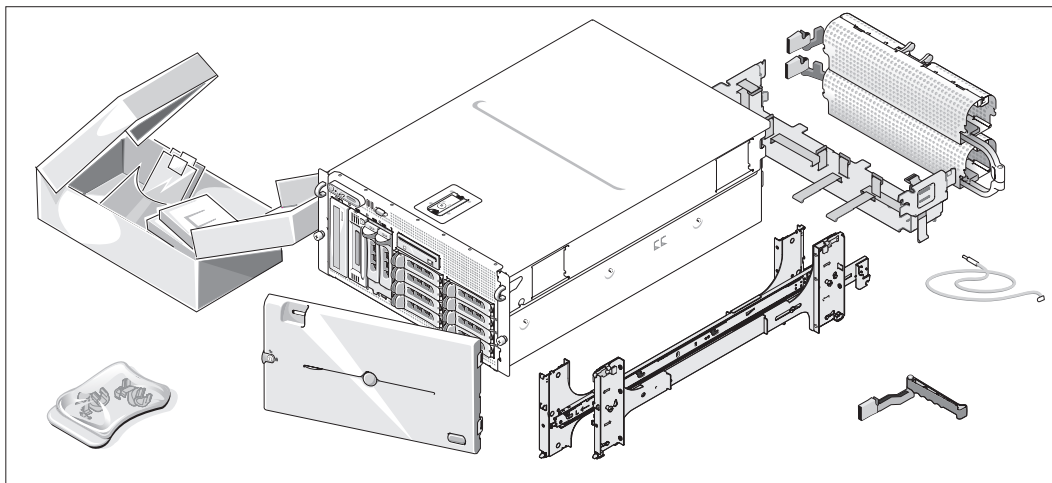
 **PRÉCAUTION** : avant d'exécuter la procédure suivante, lisez les consignes de sécurité et les informations importantes sur les réglementations figurant dans le *Guide d'informations sur le produit*. Veillez à les respecter scrupuleusement.

Cette section décrit les étapes à exécuter lors de la configuration initiale du système. Les illustrations suivantes représentent un système monté en rack, mais la majeure partie de la procédure s'applique aux systèmes autonomes dotés d'une tour. Au lieu de suivre les instructions d'installation en rack de l'étape 2, reportez-vous aux consignes de la documentation du système indiquant comment installer les pieds stabilisateurs.

 **PRÉCAUTION** : l'installation des pieds stabilisateurs sur un système autonome configuré en tour est indispensable. Sinon, le système risque de basculer, ce qui pourrait entraîner des dommages matériels et occasionner des blessures corporelles.

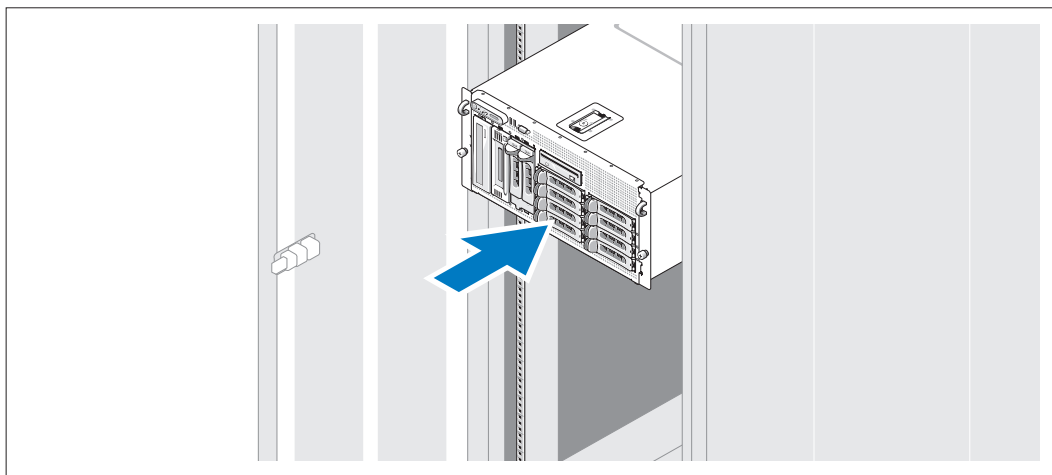
 **PRÉCAUTION** : demandez toujours de l'aide avant de soulever le système. N'essayez pas de le soulever seul car vous risqueriez de vous blesser.

Déballage du système



- 1 Sortez le système de son emballage et identifiez chaque élément fourni.
Conservez les matériaux d'emballage au cas où vous en auriez besoin ultérieurement.

Installation des rails et du système dans un rack

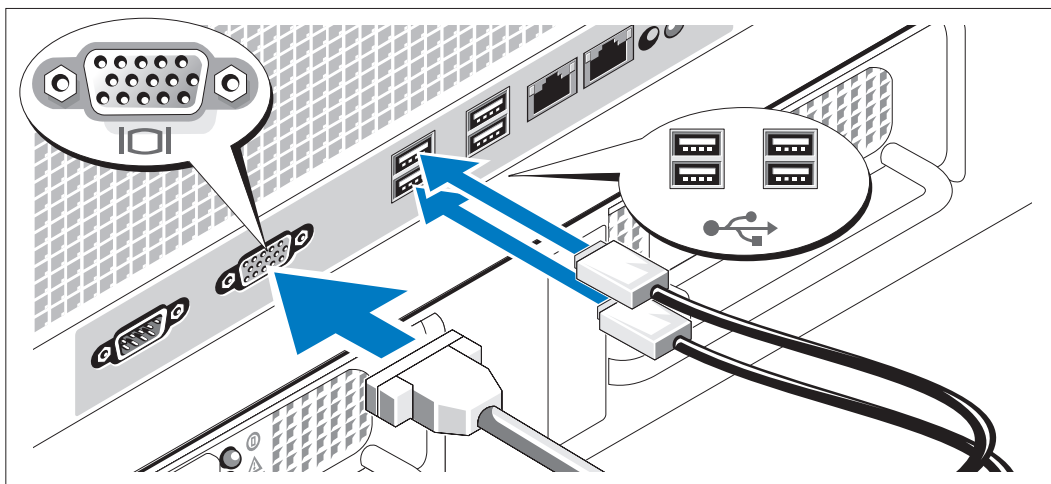


- 2 Commencez par lire les consignes de sécurité qui se trouvent dans la documentation d'installation du rack, puis installez les rails et le système dans le rack.

Consultez la documentation d'installation du rack pour obtenir les instructions appropriées.

Pour un système configuré en tour, consultez la documentation appropriée pour savoir comment installer les pieds stabilisateurs.

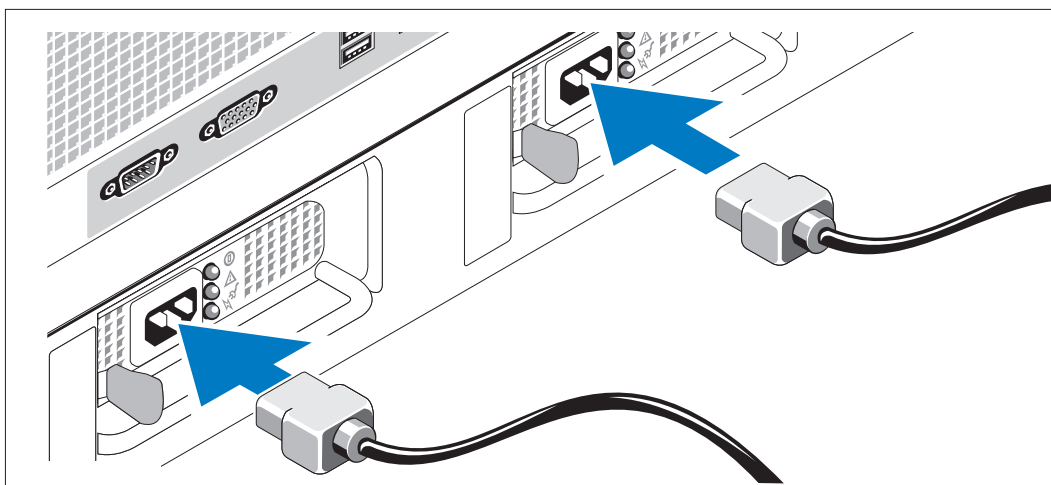
Connexion du clavier, de la souris et du moniteur



- 3 Connectez le clavier, la souris et le moniteur (facultatif).

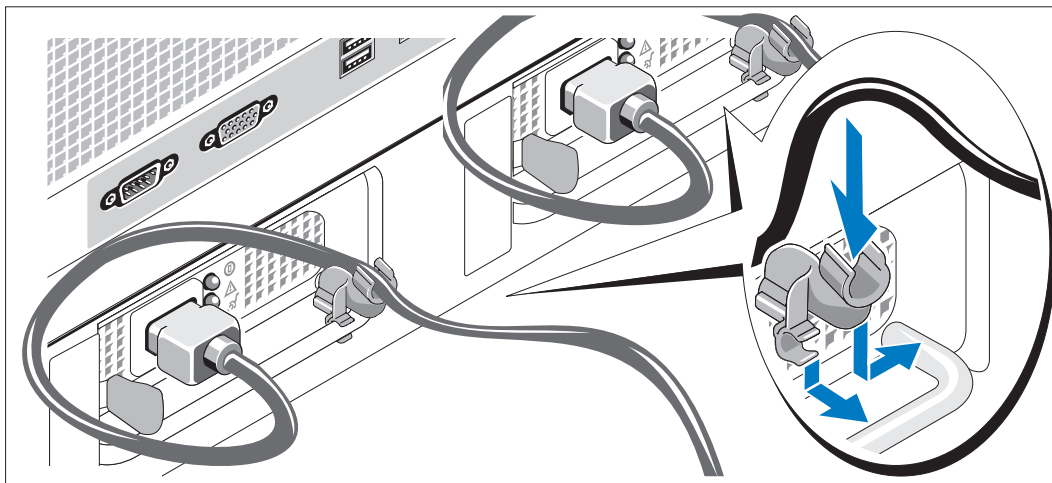
À l'arrière du système, de petites icônes indiquent quel câble doit être inséré dans chaque connecteur. N'oubliez pas de serrer les vis situées sur le connecteur du câble du moniteur, s'il en est équipé.

Connexion des cordons d'alimentation



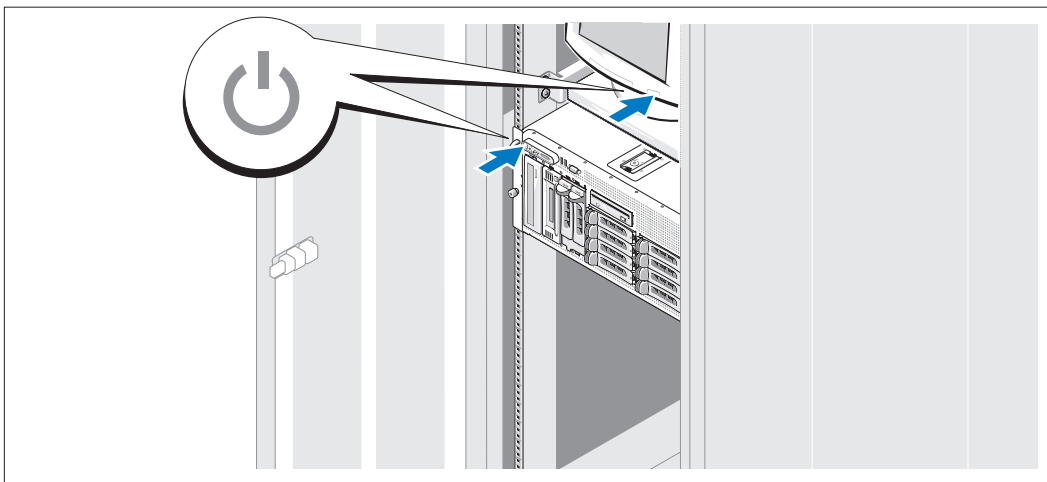
- 4 Branchez le cordon d'alimentation sur le système.
- 5 Branchez ensuite l'autre extrémité du cordon sur une prise de courant mise à la terre ou sur une source d'alimentation autonome (onduleur ou unité de distribution de l'alimentation).

Fixation du support du cordon d'alimentation



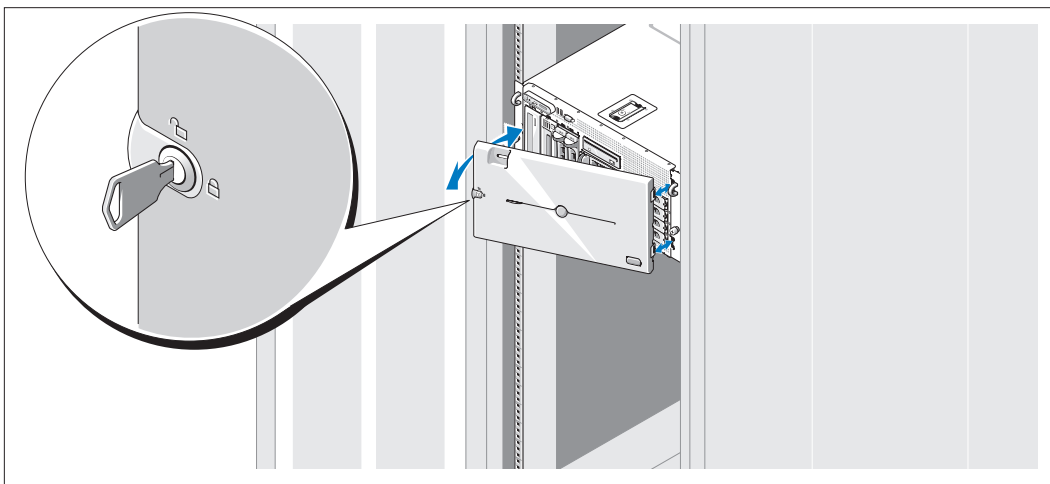
- 6 Fixez le support du cordon sur la partie droite de la poignée du bloc d'alimentation. Faites une boucle comme indiqué dans l'illustration et insérez le cordon d'alimentation dans le clip du support. Recommencez cette procédure pour le second bloc d'alimentation.

Mise sous tension du système



- 7 Mettez le système sous tension, ainsi que le moniteur, si nécessaire.
Appuyez sur le bouton d'alimentation du système et sur celui du moniteur. Les voyants d'alimentation doivent s'allumer. Réglez le moniteur jusqu'à ce que l'image affichée soit correcte.

Installation du cadre



- 8 Installez le cadre (facultatif).

Finalisation de l'installation du système d'exploitation

Si vous avez acheté un système d'exploitation préinstallé, consultez tout d'abord la documentation correspondante, qui vous a été fournie avec le système. Si vous installez un système d'exploitation pour la première fois, consultez le document *Quick Installation Guide* (Guide d'installation rapide). Veillez à installer le système d'exploitation avant tout élément matériel ou logiciel acheté séparément.

Spécifications techniques

| Processeur | |
|--------------------|--|
| Type de processeur | 1 ou 2 processeurs double cœur Intel Xeon 5000 |

| Bus d'extension | |
|------------------------|--|
| Type de bus | PCI, PCI-X, PCIe |
| Logements d'extension | |
| PCI-X | Les emplacements 1 et 2 peuvent accueillir 2 cartes 64 bits, pleine hauteur, pleine longueur, fonctionnant à 3,3 V et cadencées à 133 MHz. |
| PCIe | Emplacement 3 : x8 / 3,3 V Emplacements 4, 5 et 6 : x4 / 3,3 V |

| Mémoire | |
|-------------------------------|---|
| Architecture | Barrettes DIMM FBD (Fully Buffered DIMM) à 533 ou 667 MHz (selon disponibilité) |
| Supports de module de mémoire | Douze à 240 broches |
| Modules mémoire compatibles | 256 Mo, 512 Mo, 1 Go, 2 Go ou 4 Go |
| RAM minimale | 512 Mo (deux modules de 256 Mo) |
| RAM maximale | 48 Go |

| Lecteurs | |
|----------------------|--|
| Disques durs | Jusqu'à dix disques durs internes SAS ou SATA de 3,5 pouces, enfichables à chaud <ul style="list-style-type: none">• Huit disques dans la baie de lecteurs interne• Deux disques dans l'extension de fond de panier FlexBay 1x2 (en option) |
| Lecteur de disquette | Un lecteur 3,5 pouces de 1,44 Mo en option Un lecteur USB externe 3,5 pouces de 1,44 Mo en option |
| Lecteur optique | Un lecteur de CD ou de DVD, ou un lecteur CD-RW/DVD (tous deux en option) REMARQUE : les périphériques DVD sont uniquement des périphériques de données. Un lecteur de CD-ROM USB externe en option Un lecteur de DVD-ROM USB externe en option |
| Lecteur Flash | USB externe en option |

Connecteurs

À l'arrière

| | |
|-------|---|
| NIC | Deux connecteurs RJ-45 compatibles TOE (pour NIC 1 Gb intégrés) |
| Série | Connecteur DTE à 9 broches, compatible 16550 |
| USB | Quatre connecteurs à 4 broches, compatibles USB 2.0 |
| Vidéo | VGA, 15 broches |

À l'avant

| | |
|-------|---|
| Vidéo | VGA, 15 broches |
| USB | Deux connecteurs à 4 broches, compatibles USB 2.0 |

Vidéo

| | |
|---------------|---|
| Type de vidéo | Contrôleur vidéo ATI ES1000 ; connecteurs VGA |
| Mémoire vidéo | 16 Mo, DDR SDRAM |

Alimentation

Bloc d'alimentation CA (selon la tension en vigueur)

| | |
|--------------------------|--|
| Puissance | 930 W |
| Tension | 90-264 VCA avec sélection automatique de la tension, 47-63 Hz |
| Dissipation thermique | 2697 BTU/h (680 kcal/h) maximum |
| Appel de courant maximal | Dans des conditions de lignes typiques et dans toute la gamme ambiante de fonctionnement du système, l'appel de courant peut atteindre 55 A par bloc d'alimentation pendant un maximum de 10 ms. |

Piles

| | |
|-----------------------|--|
| Pile du système | Pile bouton au lithium-ion CR 2032 (3,0 V) |
| Pile RAID (en option) | 4,1 V au lithium-ion |

Caractéristiques physiques

Rack

| | |
|---------|---|
| Hauteur | 21,77 cm (8,57 pouces) |
| Largeur | 44,27 cm (17,43 pouces) pour le châssis seul 48,27 cm (19 pouces) avec les collerettes du rack |

Caractéristiques physiques (suite)

| | |
|--------------------------------|---|
| Profondeur | 66,13 cm (26,04 pouces) sans le panneau de commande et le cadre. Le panneau de commande ajoute 1,3 cm (0,51 pouce). |
| Poids (configuration maximale) | 45,36 kg (100 livres) |
| Tour (sans cadre) | |
| Hauteur | 47,89 cm (18,85 pouces) pieds compris, roulettes non installées |
| Largeur | 22,66 cm (8,92 pouces) |
| Profondeur | 66,13 cm (26,04 pouces) sans le panneau de commande et le cadre. Le panneau de commande ajoute 1,3 cm (0,51 pouce). |
| Poids (configuration maximale) | 49,9 kg (110 livres) |

Environnement

REMARQUE : pour plus d'informations concernant les mesures d'exploitation liées à différentes configurations spécifiques, rendez-vous sur le site www.dell.com/environmental_datasheets.

Température

| | |
|-------------------|---------------------------------|
| En fonctionnement | De 10° à 35° C (50 à 95° F) |
| Stockage | De -40° à 65° C (-40° à 149 °F) |

Humidité relative

| | |
|-------------------|---|
| En fonctionnement | De 20% à 80% (sans condensation) avec un gradient d'humidité maximal de 10% par heure |
| Stockage | De 5 % à 95 % (sans condensation) |

Tolérance maximale aux vibrations

| | |
|----------------|--|
| Fonctionnement | 0,26 G avec un balayage de 5 à 350 Hz pendant 2 minutes sur l'axe Z |
| Stockage | 1,54 G avec un balayage de 10 à 250 Hz pendant 15 minutes (dans tous les sens) |

Choc maximal

| | |
|----------------|---|
| Fonctionnement | Une impulsion de choc de 41 G pendant un maximum de 2 ms sur l'axe z positif (une impulsion de chaque côté du système) |
| Stockage | Six chocs consécutifs de 71 G pendant un maximum de 2 ms en positif et négatif sur les axes x, y et z (une impulsion de chaque côté du système) |




Altitude

| | |
|----------------|--|
| Fonctionnement | De -16 à 3 048 m (-50 à 10 000 pieds) |
| Stockage | De -16 à 10 600 m (-50 à 35 000 pieds) |

Dell™ PowerEdge™ 2900-Systeme

Erste Schritte mit dem System

Anmerkungen, Hinweise und Warnungen

-  **ANMERKUNG:** Eine ANMERKUNG macht auf wichtige Informationen aufmerksam, die die Arbeit mit dem Computer erleichtern.
-  **HINWEIS:** Ein HINWEIS warnt vor möglichen Beschädigungen der Hardware oder vor Datenverlust und zeigt auf, wie derartige Probleme vermieden werden können.
-  **VORSICHT:** Hiermit werden Sie auf eine potentiell gefährliche Situation hingewiesen, die zu Sachschäden, Verletzungen oder zum Tod führen könnte.

Irrtümer und technische Änderungen vorbehalten.
© 2005 Dell Inc. Alle Rechte vorbehalten.

Die Reproduktion dieses Dokuments in jeglicher Form ist ohne schriftliche Genehmigung von Dell Inc. streng verboten.

Marken in diesem Text: *Dell* und das *DELL* Logo sind Marken von Dell Inc.; *Intel* und *Xeon* sind eingetragene Marken von Intel Corporation; *Microsoft* und *Windows* sind eingetragene Marken und *Windows Server* ist eine Marke von Microsoft Corporation; *Novell* und *NetWare* sind eingetragene Marken von Novell, Inc.; *Red Hat* ist eine eingetragene Marke von Red Hat, Inc.; *SUSE* ist eine eingetragene Marke von SUSE LINUX Products GmbH.

Alle anderen in dieser Dokumentation genannten Marken und Handelsbezeichnungen sind Eigentum der jeweiligen Hersteller und Firmen. Dell Inc. erhebt keinen Anspruch auf Marken und Handelsbezeichnungen mit Ausnahme der eigenen.

Modell ECM01

November 2005

P/N FD152

Rev. A00

Systemmerkmale

Dies sind die wesentlichen Hardware- und Softwaremerkmale des Systems:

- Ein oder zwei Dual-Core Intel® Xeon®-Prozessoren 5000 Sequence
- Unterstützung für symmetrisches Multiprocessing (SMP) auf Systemen mit zwei Intel Xeon-Mikroprozessoren. SMP verbessert die Gesamtsystemleistung, indem Prozessoroperationen auf unabhängig voneinander arbeitende Prozessoren verteilt werden. Um diese Funktion zu nutzen, muss ein Betriebssystem verwendet werden, das Multiprocessing unterstützt.



ANMERKUNG: Zum Installieren eines zweiten Systemprozessors müssen Sie ein Prozessor-Upgrade-Kit von Dell verwenden. Nicht alle Versionen des Intel Xeon-Prozessors können als zusätzliche Prozessoren verwendet werden. Upgrade-Kits von Dell sind mit geeigneten Prozessorversionen erhältlich und mit passenden Kühlkörpern und Lüftern, sowie mit Anleitungen zur Installation ausgestattet.

- Mindestens 512 MB auf Fully-Buffered-DIMMs (FBD) mit 533 oder 667 MHz (sofern verfügbar), erweiterbar auf maximal 48 GB durch Installation von Kombinationen aus Speichermodulen mit 256 MB, 512 MB, 1 GB, 2 GB oder 4-GB in den zwölf Speichermodulsockeln auf der Systemplatine.

Das System ermöglicht auch die Verwendung von redundantem Speicher, und zwar als Memory-Sparing (Redundanz) oder Memory-Mirroring (Spiegelung). Beide Funktionen stehen zur Verfügung, wenn acht oder zwölf identische Speichermodule installiert sind.

- Unterstützung für bis zu zehn interne, hot-plug-fähige 3,5-Zoll-SAS (Serial-Attached SCSI) oder SATA-Festplatten (acht interne 3,5-Zoll-Festplatten mit hot-plug-fähiger Rückwandplatine und Unterstützung für zwei weitere hot-plug-fähige 3,5-Zoll-Laufwerke im Peripherieschacht mit optionaler 1x2-Flexbay-Rückwandplatine).
- Der Peripherieschacht unterstützt ein optionales optisches Laufwerk und eine optionale Bandsicherungseinheit (TBU) mit halber Bauhöhe. Eine Bandsicherungseinheit mit voller Bauhöhe kann bei entfernter 1x2-Flexbay-Halterung verwendet werden.
- Ein optionales 3,5-Zoll-Diskettenlaufwerk (1,44 MB)
- Ein optionales CD-, DVD- oder CD-RW/DVD-Laufwerk



ANMERKUNG: DVD-Geräte sind reine Datenlaufwerke.

- Ein Gehäuseeingriffschalter, der einer entsprechenden Systemverwaltungssoftware meldet, wenn die obere Gehäuseabdeckung geöffnet ist.
- Bis zu zwei hot-plug-fähige 930-W-Netzteile in einer redundanten 1 + 1-Konfiguration.
- Sechs hot-plug-fähige Systemlüfter

Die Systemplatine ist mit folgenden Komponenten ausgestattet:

- Sechs PCI-Steckplätze auf einem Erweiterungskartenträger. Die Steckplätze 1 und 2 sind vom Typ PCI-X (3,3 V, 64 Bit, 133 MHz); Steckplatz 3 ist vom Typ PCIe (3,3 V, x8-Bandbreite); die Steckplätze 4 bis 6 sind vom Typ PCIe (3,3 V, x4-Bandbreite). In Erweiterungskartensteckplätzen können Erweiterungskarten von voller Bauhöhe und voller Baulänge installiert werden. PCIe-Steckplätze können Erweiterungskarten bis zu x8-Bandbreite aufnehmen.
- Speziell vorgesehener PCI-Steckplatz für einen integrierten SAS-Host-Bus-Adapter oder eine optionale integrierte RAID-Controllerkarte mit 256 MB Cache-Speicher und einer RAID-Batterie.



ANMERKUNG: Es wird kein Systemstart von einem externen Gerät an einem SAS- oder SCSI-Adapter unterstützt, einschließlich SAS 5/E, PERC 5/E oder PERC 4e/DC. Unter support.dell.com erhalten Sie aktuelle Informationen über das Starten von externen Geräten.

- Zwei integrierte Gigabit-Ethernet-NICs für Datenübertragungsraten von 10 Mbit/s, 100 Mbit/s und 1000-Mbit/s.
- Sechs USB-2.0-konforme Anschlüsse (zwei auf der Vorderseite und vier auf der Rückseite) zum Anschließen von Diskettenlaufwerk, CD-ROM- oder DVD-ROM-Laufwerk, Tastatur, Maus oder USB-Flash-Laufwerk.
- Optionaler Remote-Access-Controller (RAC) zur Fernverwaltung des Systems.
- Integriertes VGA-kompatibles Grafikosubsystem mit ATI ES1000 PCI-Grafikcontroller mit 33 MHz. Dieses Grafikosubsystem verfügt über einen Grafikspeicher mit 16 MB DDR-SDRAM (nicht erweiterbar). Maximale Auflösung: 1600 × 1200 bei 65536 Farben. Bei True-Color-Darstellung sind folgende Auflösungen möglich: 640 × 480, 800 × 600, 1024 × 768, 1152 × 864 und 1280 × 1024. Bei installierter optionaler Remote-Access-Karte ist die Grafikauflösung 1024 × 768.
- Systemverwaltungselektronik zur Überwachung der Systemlüfter und der kritischen Systemspannungen und -temperaturen. Die Systemverwaltungselektronik funktioniert im Verbund mit der Systemverwaltungssoftware.
- Standard-Baseboard-Management-Controller mit seriellem Zugang.
- Auf der Rückseite befinden sich folgende Anschlüsse: Serielle Schnittstelle (1), Bildschirm (1), USB (2) und Netzwerk (2).
- Auf der Vorderseite sind ein Bildschirm- und zwei USB-Anschlüsse vorhanden.
- LCD-Display (1 × 5) auf der Vorderseite zur Anzeige von System-ID und Fehlermeldungen.
- Systemidentifikationstaste auf der Vorder- und Rückseite.

Weitere Informationen zu spezifischen Systemmerkmalen finden Sie im Abschnitt „Technische Daten“ auf Seite 46.

Unterstützte Betriebssysteme

- Microsoft® Windows Server™ 2003 Standard und Enterprise Edition
- Microsoft Windows Small Business Server 2003 Standard und Premium Edition
- Microsoft Windows Server 2003 Standard und Enterprise x64 Edition
- Red Hat® Enterprise Linux AS und ES (Version 3 und 4) für Intel x86
- Red Hat Enterprise Linux AS und ES (Version 4) für Intel Extended Memory 64 Technology (Intel EM64T)
- SUSE® Linux Enterprise Server 9 für Intel EM64T
- Novell® NetWare® 6.5 (sofern verfügbar – nicht vorinstalliert erhältlich)

Weitere nützliche Informationen

 **VORSICHT:** Das *Product Information Guide* (Produktinformationshandbuch) enthält wichtige Informationen zu Sicherheits- und Betriebsbestimmungen. Garantiebestimmungen können als separates Dokument beigelegt sein.

- In der zusammen mit der Rack-Lösung gelieferten *Rack Installation Instructions* (Rack-Installationsanleitung) bzw. im *Rack Installation Guide* (Rack-Installationshandbuch) ist die Installation des Systems in einem Rack beschrieben.
- In der *Hardware Owner's Manual* (Hardware-Benutzerhandbuch) erhalten Sie Informationen über Systemfunktionen, zur Fehlerbehebung am System und zum Installieren oder Austauschen von Systemkomponenten. Das *Hardware Owner's Manual* (Hardware-Benutzerhandbuch) befindet sich auf den zusammen mit dem System gelieferten CDs oder kann von support.dell.com heruntergeladen werden.
- Mitgelieferte CDs enthalten Dokumentation und Dienstprogramme zum Konfigurieren und Verwalten des Systems.
- Möglicherweise sind Versionshinweise oder Infodateien vorhanden – diese enthalten Aktualisierungen zum System oder zur Dokumentation bzw. detailliertes technisches Referenzmaterial für erfahrene Benutzer oder Techniker.

So erhalten Sie technische Unterstützung

Falls Sie einen Vorgang in diesem Handbuch nicht nachvollziehen können oder das System sich nicht wie erwartet verhält, nehmen Sie das *Hardware Owner's Manual* (Hardware-Benutzerhandbuch) zur Hand.

Dell bietet Unternehmenstraining und Zertifizierung an. Weitere Informationen finden Sie unter www.dell.com/training. Diese Dienstleistungen stehen unter Umständen nicht überall zur Verfügung.

Installation und Konfiguration

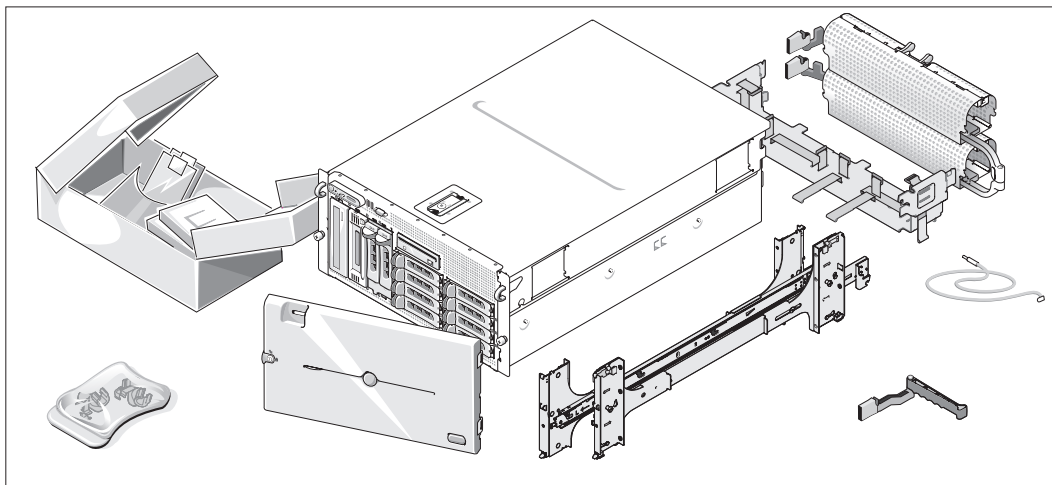
⚠ VORSICHT: Bevor Sie mit dem folgenden Vorgang beginnen, lesen und befolgen Sie die Sicherheitshinweise und die Betriebsbestimmungen im *Product Information Guide* (Produktinformationshandbuch).

In diesem Abschnitt ist die erstmalige Einrichtung des Systems beschrieben. Die folgenden Abbildungen zeigen ein System für Rack-Montage, doch die Vorgehensweise gilt im Wesentlichen auch für ein frei stehendes Tower-System. Statt das System in Schritt 2 in einem Rack zu montieren, müssen Sie entsprechend der Systemdokumentation die Stabilisatoren am System befestigen.

⚠ VORSICHT: Die Installation der Stabilisatoren bei einem frei stehenden Tower-System ist notwendig, um eine stabile Basis für das System zu schaffen. Wenn die Stabilisatoren nicht installiert werden, besteht die Gefahr, dass das System umkippt und möglicherweise Verletzungen oder Schäden verursacht.

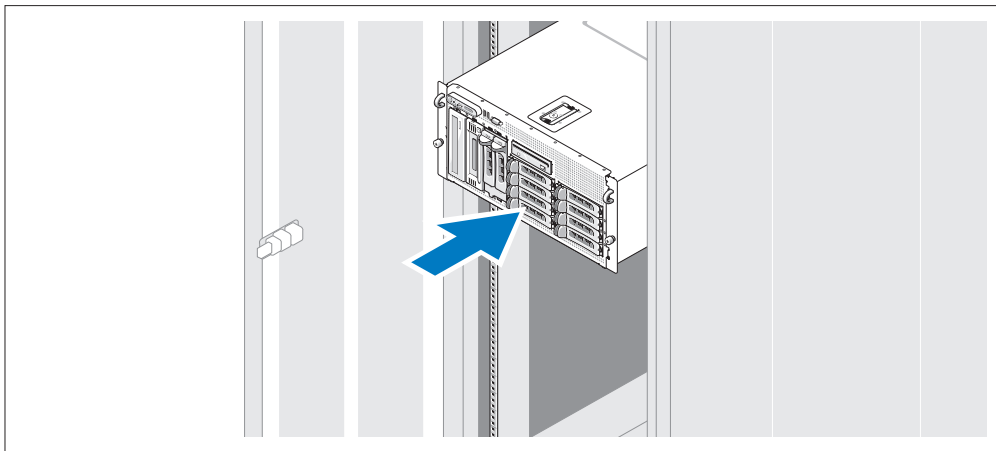
⚠ VORSICHT: Zum Anheben des Systems sollten Sie sich stets von jemand anders helfen lassen. Um Verletzungen zu vermeiden, sollten Sie nicht versuchen, das System allein zu bewegen.

Auspacken des Systems



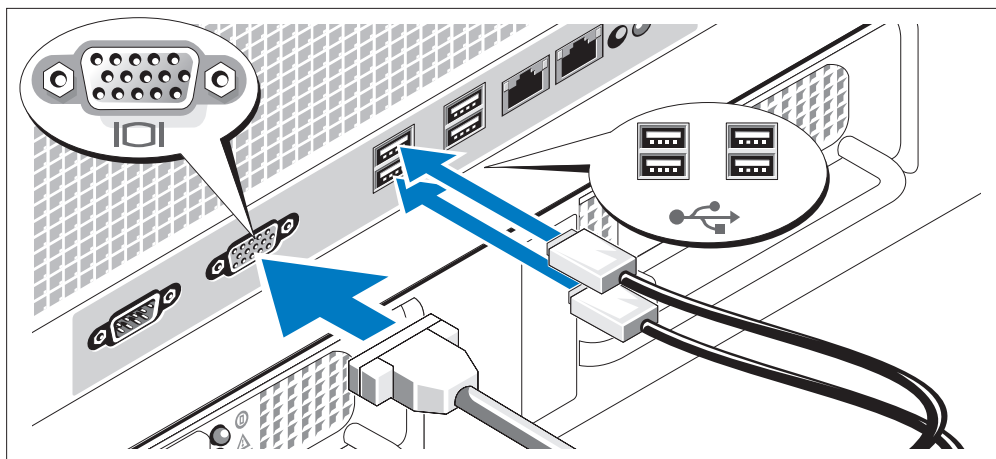
- 1 Entnehmen Sie das System der Verpackung und identifizieren Sie die einzelnen Komponenten. Bewahren Sie das Verpackungsmaterial für möglichen späteren Gebrauch auf.

Installation der Schienen und des Systems in einem Rack



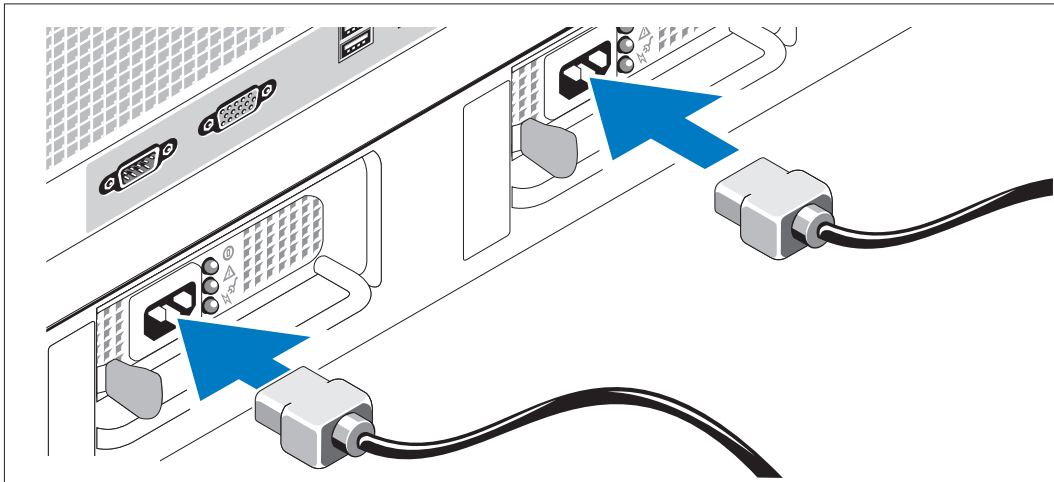
- 2 Wenn Sie die Sicherheitshinweise in der Dokumentation zur Rack-Installation für das System gelesen haben, können Sie die Schienen und das System im Rack installieren.
Wie Sie das System in einem Rack installieren, erfahren Sie in der Dokumentation zur Rack-Installation.
Falls es sich um ein Tower-System handelt, installieren Sie entsprechend der Systemdokumentation die Stabilisatoren am System.

Anschließen von Tastatur, Maus und Bildschirm



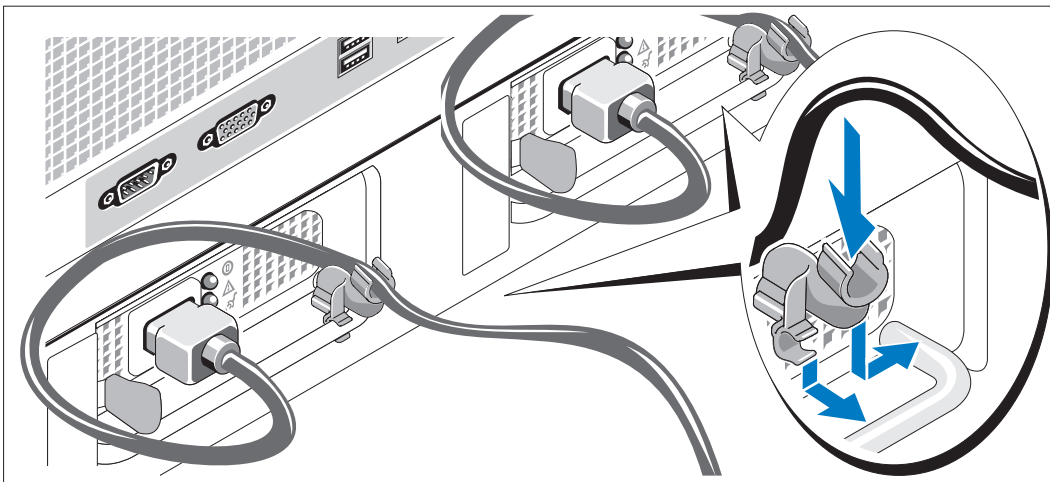
- 3 Schließen Sie die Tastatur, die Maus und den Bildschirm (optional) an.
Die Anschlüsse auf der Rückseite des Systems sind mit Symbolen gekennzeichnet, mit denen sich die entsprechenden Kabel zuordnen lassen. Denken Sie daran, gegebenenfalls die Schrauben am Stecker des Bildschirmkabels festzuziehen.

Anschließen der Stromversorgung



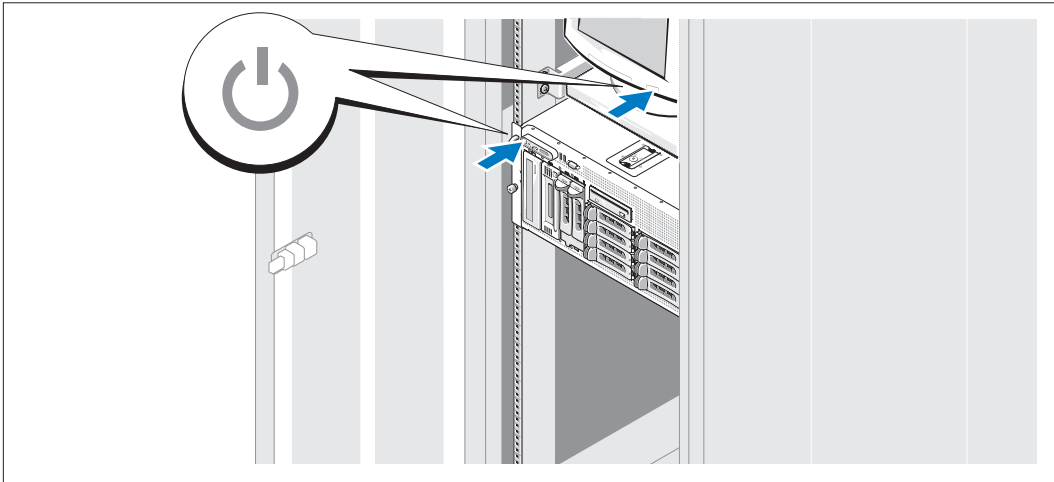
- 4 Verbinden Sie das bzw. die Netzstromkabel mit dem System.
- 5 Verbinden Sie das andere Ende des Kabels mit einer geerdeten Steckdose oder mit einer separaten Spannungsquelle, etwa einer unterbrechungsfreien Stromversorgung (USV) oder einem Stromverteiler.

Installation der Rückhalteklammer für das Netzstromkabel



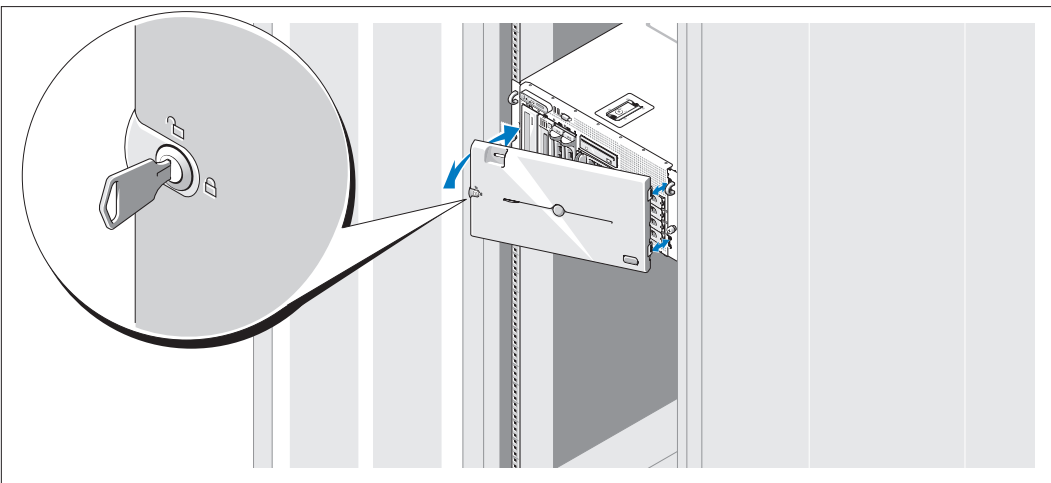
- 6 Bringen Sie die Rückhalteklammer für das Netzstromkabel am rechten Bogen des Netzteilgriffs an. Biegen Sie das Netzstromkabel wie abgebildet zu einer Schlaufe und befestigen Sie es an der Kabelklemme. Wiederholen Sie den Vorgang für das zweite Netzteil.

Einschalten des Systems



- 7 Schalten Sie das System und den Bildschirm (optional) ein.
Drücken Sie den Netzschalter am System und am Bildschirm. Daraufhin sollten die Betriebsanzeigen aufleuchten. Stellen Sie den Bildschirm ein, bis die Anzeige zufriedenstellend ist.

Anbringen der Frontverkleidung



- 8 Installieren Sie die Frontverkleidung (optional).

Abschließen des Betriebssystem-Setups

Wenn das Betriebssystem vorinstalliert ist, lesen Sie die zusammen mit dem System gelieferte Dokumentation zum Betriebssystem. Wie Sie ein Betriebssystem erstmalig installieren, erfahren Sie in der *Quick Installation Guide* (Kurz-Installationsanleitung). Das Betriebssystem muss installiert sein, bevor Sie andere, nicht zusammen mit dem System erworbene Hardware oder Software installieren.

Technische Daten

| Prozessor | |
|-------------------------|--|
| Prozessortyp | Ein oder zwei Dual-Core Intel Xeon-Prozessoren 5000 Sequence |
| Erweiterungsbus | |
| Bustyp | PCI, PCI-X, PCIe |
| Erweiterungssteckplätze | |
| PCI-X | Zwei Steckplätze für Karten voller Baulänge und voller Bauhöhe mit 3,3 V, 64 Bit, 133-MHz (Steckplätze 1 und 2) |
| PCIe | Einmal x8-Bandbreite, 3,3 V (Steckplatz 3) Dreimal x4-Bandbreite, 3,3 V (Steckplätze 4 bis 6) |
| Speicher | |
| Architektur | Fully-Buffered-DIMMs (FBD) mit 533 oder 667 MHz (sofern verfügbar) |
| Speichermodulsockel | Zwölfmal 240-polig |
| Speichermodulgrößen | 256 MB, 512 MB, 1 GB, 2 GB oder 4 GB |
| RAM (Minimum) | 512 MB (zwei 256-MB-Module) |
| RAM (Maximum) | 48 GB |
| Laufwerke | |
| Festplattenlaufwerke | Bis zu zehn interne, hot-plug-fähige 3,5-Zoll-SAS- oder SATA-Laufwerke <ul style="list-style-type: none">• Acht Laufwerke im internen Laufwerkschacht• Zwei Laufwerke in der optionalen 1x2-Flexbay- Rückwandplatinenerweiterung |
| Diskettenlaufwerk | Ein Laufwerk 3,5 Zoll, 1,44 MB (optional) Externes USB-Laufwerk 3,5 Zoll, 1,44 MB (optional) |

Laufwerke (Fortsetzung)

| | |
|--------------------|---|
| Optisches Laufwerk | Ein optionales CD-, DVD- oder kombiniertes CD-RW/DVD-Laufwerk ANMERKUNG: DVD-Geräte sind reine Datenlaufwerke. Externes optionales USB-CD-Laufwerk Externes optionales USB-DVD-ROM-Laufwerk |
| Flash-Laufwerk | Externer USB-Datenträger (optional) |

Anschlüsse

Rückseite

| | |
|------------|--|
| NSC | Zwei TOE-fähige RJ-45-Anschlüsse (für integrierte 1-GB-NICs) |
| Seriell | 9-polig, DTE, 16550-kompatibel |
| USB | Vier 4-polige Anschlüsse, USB-2.0-konform |
| Bildschirm | VGA, 15-polig |

Vorderseite

| | |
|------------|---|
| Bildschirm | VGA, 15-polig |
| USB | Zwei 4-polige Anschlüsse, USB-2.0-konform |

Grafik

| | |
|----------------|---|
| Grafiktyp | Grafikcontroller ATI ES1000; VGA-Anschlüsse |
| Grafikspeicher | 16 MB DDR-SDRAM |

Stromversorgung

AC-Netzstromversorgung (über Netzteil)

| | |
|--------------------------|--|
| Leistung | 930 W |
| Spannung | 90-264 VAC, autom. Bereichseinstellung, 47-63 Hz |
| Wärmeabgabe | Maximal 2697 BTU/h |
| Maximaler Einschaltstrom | Unter typischen Leitungsbedingungen und über den gesamten Umgebungsbetriebsbereich des Systems kann der Einschaltstrom pro Netzteil (über einen Zeitraum von 10 ms oder weniger) 55 A erreichen. |

Batterien

| | |
|--------------------------|---|
| Systembatterie | CR 2032, 3,0-V-Lithium-Ionen-Knopfzelle |
| RAID-Batterie (optional) | 4,1 V Lithium-Ionen |

Maße und Gewicht

Rack

| | |
|----------------------------------|---|
| Höhe | 21,77 cm |
| Breite | 44,27 cm (nur Gehäuse) 48,27 cm mit Rack-Flanschen |
| Tiefe | 66,13 cm (ohne Bedienfeld oder Frontverkleidung; mit Bedienfeld zusätzlich 1,3 cm) |
| Gewicht (maximale Konfiguration) | 45,36 kg |

Tower (ohne Frontverkleidung)

| | |
|----------------------------------|---|
| Höhe | 47,89 cm (mit Stabilisatoren, ohne Rollen) |
| Breite | 22,66 cm |
| Tiefe | 66,13 cm (ohne Bedienfeld oder Frontverkleidung; mit Bedienfeld zusätzlich 1,3 cm) |
| Gewicht (maximale Konfiguration) | 49,9 kg |

Umgebung

ANMERKUNG: Weitere Informationen zu Umgebungsbedingungen für verschiedene Systemkonfigurationen finden Sie unter www.dell.com/environmental_datasheets.

Temperatur

| | |
|----------|------------------|
| Betrieb | 10 °C bis 35 °C |
| Lagerung | -40 °C bis 65 °C |

Relative Luftfeuchtigkeit

| | |
|----------|---|
| Betrieb | 20% bis 80% (nicht-kondensierend) mit einem Anstieg der Luftfeuchtigkeit von 10 % pro Stunde |
| Lagerung | 5 bis 95 % (nicht kondensierend) |

Maximale Erschütterung

| | |
|----------------------|---|
| Während des Betriebs | 0,26 G bei 5-350Hz, 2 min lang in der Z-Achse |
| Bei Lagerung | 1,54 G bei 10-250 Hz, 15 min lang in allen Richtungen |

Maximale Stoßeinwirkung

| | |
|----------------------|---|
| Während des Betriebs | Ein Stoß von 41 G in der positiven z-Achse (ein Stoß auf jeder Seite des Systems) über einen Zeitraum von bis zu 2 ms. |
| Bei Lagerung | Sechs hintereinander ausgeführte Stöße mit 71 G von bis zu 2 ms Dauer in positiver und negativer X-, Y- und Z- Richtung (ein Stoß auf jeder Seite des Systems). |




Höhe über NN

| | |
|----------------------|------------------|
| Während des Betriebs | -16 bis 3048 m |
| Bei Lagerung | -16 bis 10 600 m |

Συστήματα Dell™ PowerEdge™ 2900

Τα πρώτα βήματα
Με το σύστημά σας

Σημειώσεις, ενδείξεις ειδοποίησης και προσοχής

-  **ΣΗΜΕΙΩΣΗ:** Η ένδειξη ΣΗΜΕΙΩΣΗ υποδεικνύει σημαντικές πληροφορίες που σας βοηθούν να χρησιμοποιήσετε πιο σωστά τον υπολογιστή σας.
-  **ΕΙΔΟΠΟΙΗΣΗ:** Η ένδειξη ΕΙΔΟΠΟΙΗΣΗ υποδεικνύει είτε πιθανή βλάβη του υλικού είτε απώλεια δεδομένων και σας πληροφορεί πώς να αποφύγετε το πρόβλημα.
-  **ΠΡΟΣΟΧΗ:** Η ένδειξη ΠΡΟΣΟΧΗ υποδεικνύει την πιθανότητα υλικής ζημιάς, προσωπικού τραυματισμού ή θανάτου.

Οι πληροφορίες που περιέχονται στο παρόν έγγραφο ενδέχεται να αλλάξουν χωρίς προηγούμενη ειδοποίηση.
© 2005 Dell Inc. Με επιφύλαξη κάθε νόμιμου δικαιώματος.

Απαγορεύεται αυστηρώς η αναπαραγωγή με οποιονδήποτε τρόπο χωρίς την έγγραφη άδεια της Dell Inc.

Εμπορικά σήματα που χρησιμοποιούνται σε αυτό το κείμενο: *Dell* και το λογότυπο *DELL* είναι εμπορικά σήματα της Dell Inc. *Intel* και *Xeon* είναι σήματα κατατεθέντα της Intel Corporation. *Microsoft* και *Windows* είναι σήμα κατατεθέν και *Windows Server* είναι εμπορικό σήμα της Microsoft Corporation. *Novell* και *NetWare* είναι σήματα κατατεθέντα της Novell, Inc. *Red Hat* είναι σήμα κατατεθέν της Red Hat, Inc. *SUSE* είναι σήμα κατατεθέν της SUSE LINUX Products GmbH.

Στο παρόν έγγραφο ενδέχεται να χρησιμοποιούνται άλλα εμπορικά σήματα και εμπορικές ονομασίες για αναφορά στις οντότητες που διεκδικούν τα σήματα και τις ονομασίες ή για αναφορά στα προϊόντα τους. Η Dell Inc. αποποιείται οποιοδήποτε πιθανό συμφέρον ιδιοκτησίας από εμπορικά σήματα και εμπορικές ονομασίες εκτός από αυτά που έχει στην κατοχή της.

Μοντέλο ECM01

Νοέμβριος 2005

P/N FD152

Rev. A00

Χαρακτηριστικά συστήματος

Τα κύρια χαρακτηριστικά λογισμικού και υλικού του συστήματός σας περιλαμβάνουν:

- Έναν ή δύο επεξεργαστές διπλού πυρήνα Intel® Xeon® της σειράς 5000.
- Υποστήριξη συμμετρικής πολυ-επεξεργασίας (SMP), η οποία είναι διαθέσιμη σε συστήματα με δύο επεξεργαστές Intel Xeon. Το χαρακτηριστικό SMP βελτιώνει τη συνολική απόδοση του συστήματος καταμερίζοντας τις επεξεργαστικές εργασίες σε ανεξάρτητους επεξεργαστές. Για να εκμεταλλευτείτε αυτό το χαρακτηριστικό, πρέπει να χρησιμοποιείτε ένα λειτουργικό σύστημα που να υποστηρίζει την πολυ-επεξεργασία.



ΣΗΜΕΙΩΣΗ: Αν αποφασίσετε να αναβαθμίσετε το σύστημά σας εγκαθιστώντας ένα δεύτερο επεξεργαστή, πρέπει να παραγγείλετε τα σετ αναβάθμισης επεξεργαστή από την Dell. Όλες οι εκδόσεις των επεξεργαστών Xeon της Intel δεν λειτουργούν σωστά ως πρόσθετοι επεξεργαστές. Το σετ αναβάθμισης από την Dell περιέχει τη σωστή έκδοση επεξεργαστή, δεξαμενής θερμότητας και ανεμιστήρα, καθώς και οδηγίες για την εκτέλεση της αναβάθμισης.

- Κατ'ελάχιστον 512 MB στα 533 ή 667 MHz (όταν είναι διαθέσιμα), Fully Buffered DIMM μνήμης (FBD), με δυνατότητα αναβάθμισης σε 48 GB το πολύ, με εγκατάσταση συνδυασμών 256-MB, 512-MB, 1-GB, 2-GB, ή 4-GB μονάδων μνήμης στις δώδεκα υποδοχές μονάδων μνήμης επάνω στην πλακέτα του συστήματος.

Το σύστημα χαρακτηρίζεται επίσης από εφεδρική μνήμη, η οποία παρέχει πλεόνασμα ή κατοπτρικό είδωλο μνήμης. Και τα δύο χαρακτηριστικά είναι διαθέσιμα αν είναι εγκατεστημένες οκτώ ή δώδεκα ίδιες μονάδες μνήμης.

- Υποστήριξη για έως και δέκα εσωτερικές μονάδες σκληρού δίσκου, 3,5 ιντσών, θερμής βυσμάτωσης, σειριακής σύνδεσης SCSI (SAS) ή SATA (οκτώ εσωτερικές μονάδες σκληρού δίσκου, 3,5 ιντσών, με κάτω επιφάνεια πλάκας θερμής βυσμάτωσης και με υποστήριξη για δύο επιπλέον μονάδες σκληρού δίσκου, 3,5 ιντσών στο περιφερειακό φαντίο με χρήση της προαιρετικής 1x2 κάτω επιφάνειας πλάκας εύκαμπτου φαντίου).
- Το περιφερειακό φαντίο παρέχει υποστήριξη για μια προαιρετική μονάδα οπτικού δίσκου και για μια προαιρετική μονάδα μισού ύψους για τη δημιουργία αντιγράφων ασφαλείας (TBU). Με αφαίρεση του 1x2 βραχίονα του εύκαμπτου φαντίου, υποστηρίζεται μια πλήρους ύψους μονάδα για τη δημιουργία αντιγράφων ασφαλείας.
- Μια προαιρετική απλή μονάδα δισκέτας, 1.44 MB, 3,5 ιντσών.
- Μια προαιρετική μονάδα δίσκου CD, DVD ή μια μονάδα συνδυασμού CD-RW/DVD.



ΣΗΜΕΙΩΣΗ: Οι μονάδες δίσκου DVD είναι μόνο για δεδομένα.

- Ένα διακόπτης διείσδυσης που ενημερώνει το κατάλληλο λογισμικό διαχείρισης συστημάτων στην περίπτωση που είναι ανοικτό το επάνω κάλυμμα.
- Έως και δύο παροχές τροφοδοσίας 930-W, θερμής βυσμάτωσης σε εφεδρική διαμόρφωση 1 + 1.
- Έξι ανεμιστήρες θερμής βυσμάτωσης για την ψύξη του συστήματος.

Η πλακέτα του συστήματος περιλαμβάνει τα παρακάτω χαρακτηριστικά:

- Έξι υποδοχές PCI, τοποθετημένες σε ένα κουτί για κάρτες επέκτασης. Οι υποδοχές 1 και 2 είναι υποδοχές 3,3-V, 64-bit, 133-MHz PCI-X. Η υποδοχή 3 είναι μια μακρόστενη υποδοχή 3,3-V, PCIe x8. Οι υποδοχές 4 έως 6 είναι μακρόστενες υποδοχές 3,3-V, PCIe x4. Οι υποδοχές καρτών επέκτασης μπορούν να δεχτούν κάρτες επέκτασης πλήρους-ύψους και πλήρους-μήκους. Οι υποδοχές PCIe δέχονται έως x8 κάρτες επέκτασης.
- Ειδική υποδοχή PCI για ενσωματωμένο κεντρικό προσαρμογέα διαύλου SAS ή για προαιρετική ενσωματωμένη κάρτα ελεγκτή RAID με 256 MB κρυφής μνήμης (cache) και μπαταρία RAID.



ΣΗΜΕΙΩΣΗ: Δεν υποστηρίζεται η εκκίνηση του συστήματος από εξωτερική συσκευή προσαρτημένη σε προσαρμογέα SAS ή SCSI, συμπεριλαμβανομένων των SAS 5/E, PERC 5/E ή PERC 4e/DC. Επισκεφτείτε τη διεύθυνση **support.dell.com** για τις τελευταίες πληροφορίες σχετικά με την εκκίνηση από εξωτερικές συσκευές.


- Δύο ενσωματωμένες κάρτες διασύνδεσης δικτύου Gigabit Ethernet, με δυνατότητα υποστήριξης ταχυτήτων δεδομένων της τάξης των 10-Mbps, 100-Mbps και 1000-Mbps.
- Έξι συζευκτήρες συμβατούς με USB 2.0 (δύο στο εμπρός και τέσσερις στο πίσω μέρος) με δυνατότητα υποστήριξης για μία μονάδα δισκέτας, μία μονάδα δίσκου CD-ROM ή DVD-ROM, ένα πληκτρολόγιο, ένα ποντίκι ή μία μονάδα μνήμης flash USB.
- Προαιρετικός ελεγκτής απομακρυσμένης πρόσβασης (RAC) για απομακρυσμένη διαχείριση συστημάτων.
- Ένα ενσωματωμένο υποσύστημα οθόνης συμβατό με VGA με ελεγκτή οθόνης ATI ES1000, 33-MHz PCI. Αυτό το υποσύστημα οθόνης περιέχει 16 MB μνήμης οθόνης DDR SDRAM (χωρίς δυνατότητα αναβάθμισης). Η μέγιστη ανάλυση είναι 1600 x 1200 με 64 K χρώματα. Τα γραφικά με πραγματικά χρώματα υποστηρίζονται για τις ακόλουθες αναλύσεις: 640 x 480, 800 x 600, 1024 x 768, 1152 x 864 και 1280 x 1024. Όταν εγκατασταθεί ο προαιρετικός ελεγκτής απομακρυσμένης πρόσβασης, η ανάλυση της οθόνης γίνεται 1024 X 768.
- Ομάδα ηλεκτρικών κυκλωμάτων για τη διαχείριση συστημάτων. Η ομάδα αυτή παρακολουθεί τη λειτουργία των ανεμιστήρων του συστήματος, καθώς και τις κρίσιμες θερμοκρασίες και τάσεις του συστήματος. Η ομάδα ηλεκτρικών κυκλωμάτων για τη διαχείριση συστημάτων λειτουργεί σε συνδυασμό με το λογισμικό διαχείρισης συστημάτων.
- Τυπικό ελεγκτή διαχείρισης πλακέτας βάσης, σειριακής προσπέλασης.
- Οι συζευκτήρες του πίσω μέρους περιλαμβάνουν ένα σειριακό συζευκτήρα, ένα συζευκτήρα οθόνης, τέσσερις συζευκτήρες USB και δύο συζευκτήρες καρτών διασύνδεσης δικτύου.
- Οι συζευκτήρες του εμπρός μέρους περιλαμβάνουν ένα συζευκτήρα οθόνης και δύο συζευκτήρες USB.
- Μπροστινό πλαίσιο 1x5 LCD για την ταυτότητα συστήματος και μηνύματα σφαλμάτων.
- Κουμπί ταυτότητας συστήματος στο εμπρός και το πίσω μέρος.

Για περισσότερες πληροφορίες σχετικά με συγκεκριμένα χαρακτηριστικά, ανατρέξτε στο “Τεχνικές προδιαγραφές” στη σελίδα 58.

Λειτουργικά συστήματα που υποστηρίζονται

- Microsoft® Windows Server™ 2003, εκδόσεις Standard και Enterprise
- Microsoft Windows Small Business Server 2003, εκδόσεις Standard και Premium
- Microsoft® Windows Server™ 2003, εκδόσεις Standard και Enterprise x64
- Red Hat® Enterprise Linux AS και ES (έκδοση 3 και έκδοση 4) για Intel x86
- Red Hat Enterprise Linux AS και ES (έκδοση 4) για την τεχνολογία Extended Memory 64 της Intel (Intel EM64T)
- SUSE® Linux Enterprise Server 9 για Intel EM64T
- Novell® NetWare® 6.5 (Όταν υπάρχει διαθέσιμο. Δεν διατίθεται με προεγκατάσταση από το εργοστάσιο)

Άλλες πληροφορίες που ενδέχεται να χρειαστείτε

 **ΠΡΟΣΟΧΗ:** Ο Οδηγός πληροφοριών προϊόντος παρέχει σημαντικές πληροφορίες για την ασφάλεια και τους ρυθμιστικούς κανόνες. Οι πληροφορίες για την εγγύηση ενδέχεται να συμπεριλαμβάνονται μέσα σε αυτό το έγγραφο ή ως ξεχωριστό έγγραφο.

- Οι Οδηγίες εγκατάστασης σε ράφι ή ο Οδηγός εγκατάστασης σε ράφι που συνοδεύουν τη δική σας λύση σε ράφι περιγράφουν τον τρόπο εγκατάστασης τους συστήματός σας σε ράφι.
- Το *Εγχειρίδιο κατόχου υλικού* παρέχει πληροφορίες σχετικά με τα χαρακτηριστικά του συστήματος και περιγράφει την αντιμετώπιση προβλημάτων του συστήματός σας και την εγκατάσταση ή την αντικατάσταση συστατικών στοιχείων του συστήματος. Το *Εγχειρίδιο κατόχου υλικού* είναι διαθέσιμο στα CD που συνοδεύουν το σύστημά σας ή στη διεύθυνση **support.dell.com**.
- Τα CD που συνοδεύουν το σύστημά σας παρέχουν τεκμηρίωση και εργαλεία για τη ρύθμιση παραμέτρων και τη διαχείριση του συστήματός σας.
- Σημειώσεις έκδοσης ή αρχεία readme ενδέχεται να περιλαμβάνονται για να παρέχουν τις τελευταίες ενημερώσεις για το σύστημα, όπως επίσης τεκμηρίωση ή προχωρημένο υλικό αναφοράς για τεχνικά θέματα που προορίζονται για έμπειρους χρήστες ή τεχνικούς.

Λήψη τεχνικής βοήθειας

Εάν δεν κατανοείτε μια διαδικασία του οδηγού αυτού ή αν το σύστημα δεν λειτουργεί με τον αναμενόμενο τρόπο, ανατρέξτε στο *Εγχειρίδιο κατόχου υλικού*.

Είναι διαθέσιμη η Επιχειρηματική εκπαίδευση και πιστοποίηση της Dell. Για περισσότερες πληροφορίες, ανατρέξτε στη διεύθυνση **www.dell.com/training**. Η υπηρεσία αυτή ενδέχεται να μην προσφέρεται σε όλες τις τοποθεσίες.

Εγκατάσταση και ρύθμιση παραμέτρων

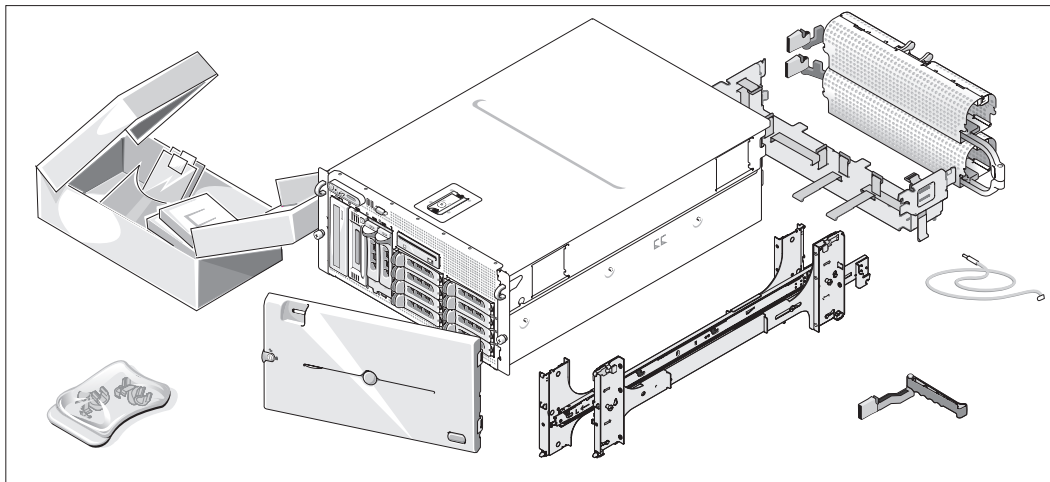
! ΠΡΟΣΟΧΗ: Προτού πραγματοποιήσετε την παρακάτω διαδικασία, διαβάστε και ακολουθήστε τις οδηγίες ασφαλείας και τους σημαντικούς ρυθμιστικούς κανόνες στον *Οδηγό πληροφοριών προϊόντος*.

Η ενότητα αυτή περιγράφει τα βήματα για την αρχική ρύθμιση των παραμέτρων του συστήματός σας. Τα σχήματα που ακολουθούν εμφανίζουν ένα σύστημα τοποθετημένο σε ράφι, αλλά η διαδικασία εγκατάστασης εφαρμόζεται κατά μεγάλο μέρος σε αυτόνομο σύστημα με πύργο. Αντί για την τοποθέτηση σε ράφι στο βήμα 2, ανατρέξτε στην τεκμηρίωση που περιλαμβάνεται με το σύστημά σας στην εγκατάσταση βάσης σταθεροποιητή στο σύστημά σας.

! ΠΡΟΣΟΧΗ: Η εγκατάσταση της βάσης σε ένα αυτόνομο σύστημα με πύργο είναι απαραίτητη για την παροχή σταθερής βάσης στήριξης στο σύστημα. Η αποτυχία εγκατάστασης της βάσης ενέχει τον κίνδυνο ανατροπής του συστήματος, με πιθανότητα να προκληθεί σωματικός τραυματισμός ή βλάβη στο σύστημα.

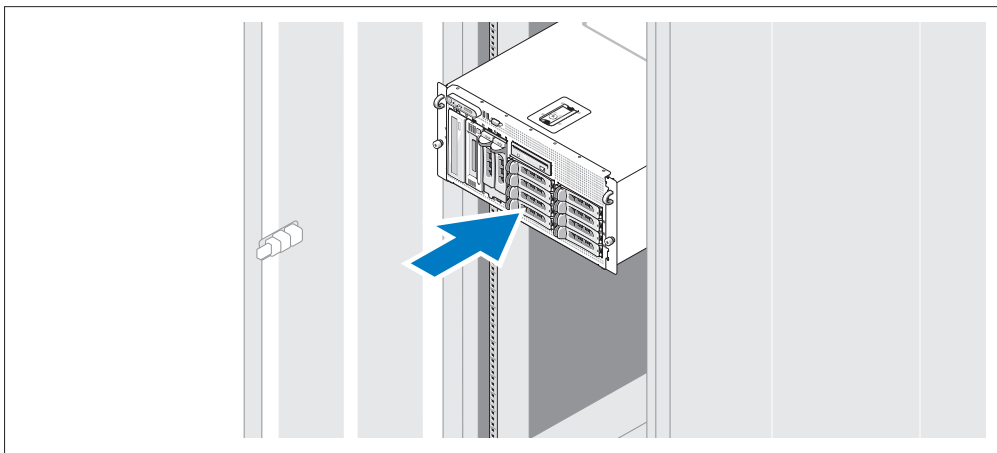
! ΠΡΟΣΟΧΗ: Όταν παραστεί η ανάγκη να σηκώσετε το σύστημα, ζητήστε από άλλους να σας βοηθήσουν. Για να αποφύγετε πιθανό τραυματισμό, μην επιχειρήσετε να σηκώσετε μόνος σας το σύστημα.

Ανοιγμα της συσκευασίας του συστήματος



- 1 Ανοίξτε τη συσκευασία του συστήματός σας και αναγνωρίστε κάθε αντικείμενο. Φυλάξτε όλα τα υλικά που σας αποστάλθηκαν για την περίπτωση που θα τα χρειαστείτε αργότερα.

Τοποθέτηση των ραγών και του συστήματος σε ράφι

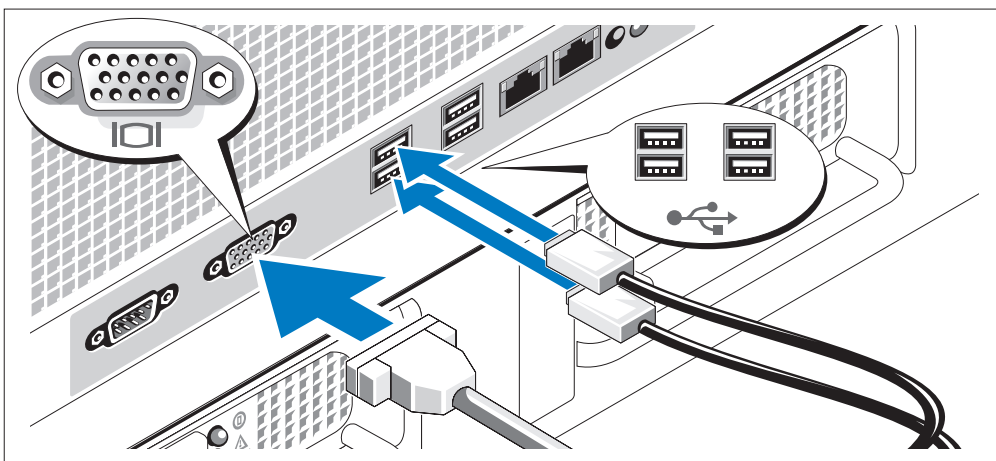


- 2** Μόλις ολοκληρώσετε την ανάγνωση των “Οδηγιών ασφαλείας” που βρίσκονται στην τεκμηρίωση εγκατάστασης σε ράφι για το σύστημά σας, τοποθετήστε τις ράγες και το σύστημα σε ράφι.

Για οδηγίες σχετικά με την εγκατάσταση του συστήματός σας σε ράφι, ανατρέξτε στην τεκμηρίωση εγκατάστασης σε ράφι.

Για σύστημα με πύργο, ανατρέξτε στην τεκμηρίωση που περιλαμβάνεται με το σύστημά σας σχετικά με την εγκατάσταση της βάσης σταθεροποιητή του συστήματος.

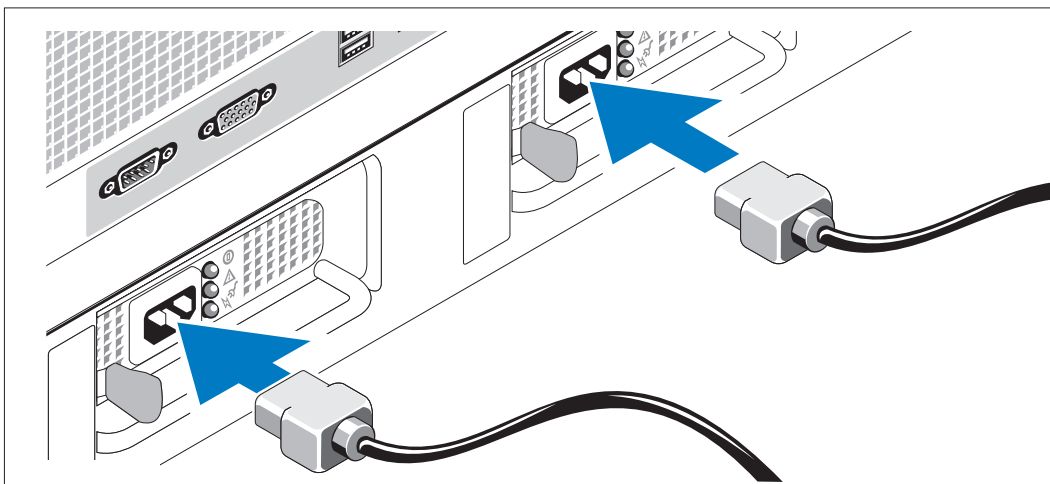
Σύνδεση πληκτρολογίου, ποντικιού και οθόνης



- 3** Συνδέστε το πληκτρολόγιο, το ποντίκι και την οθόνη (προαιρετική).

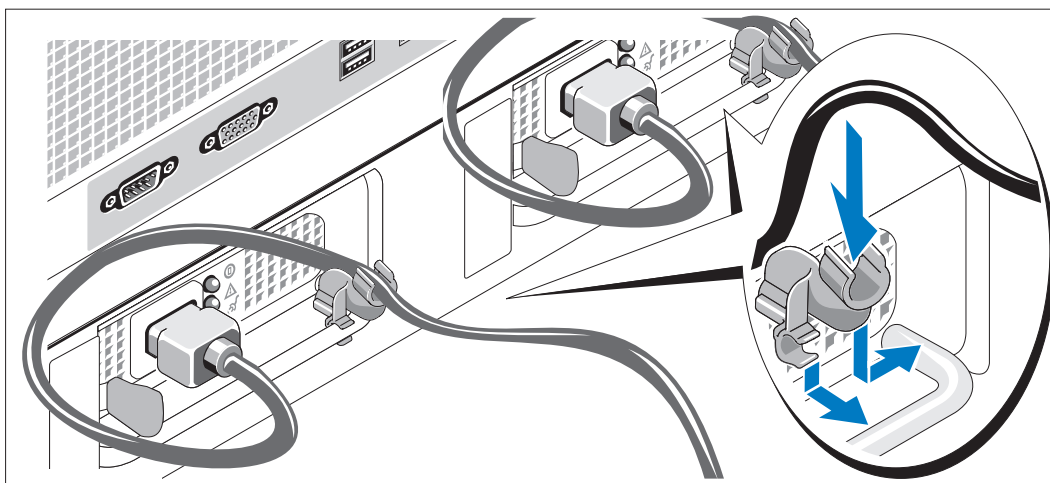
Οι συζευκτήρες στο πίσω μέρος του συστήματος έχουν εικονίδια τα οποία υποδεικνύουν το καλώδιο που συνδέεται σε κάθε συζευκτήρα. Πρέπει να σφίξετε τις βίδες (εάν υπάρχουν) στο συζευκτήρα καλωδίου της οθόνης.

Σύνδεση της τροφοδοσίας



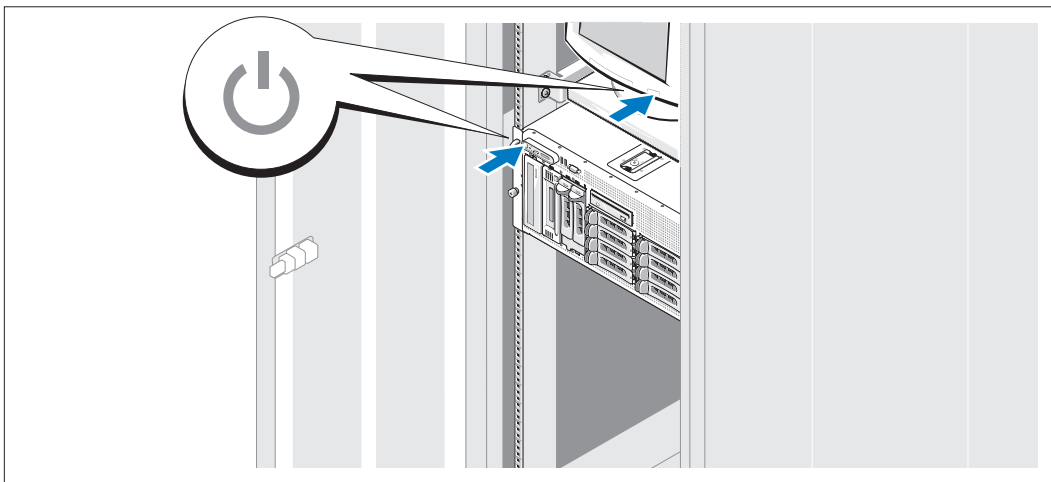
- 4 Συνδέστε το καλώδιο(α) παροχής ηλεκτρικού ρεύματος στο σύστημα.
- 5 Τοποθετήστε την άλλη άκρη του καλωδίου σε γειωμένο ρευματοδότη ή σε ξεχωριστή πηγή ηλεκτρικού ρεύματος, όπως είναι ένα σύστημα αδιάλειπτης τροφοδοσίας (UPS) ή μια μονάδα διανομής ρεύματος (PDU).

Τοποθέτηση του στηρίγματος συγκράτησης του καλωδίου τροφοδοσίας



- 6 Συνδέστε το στηρίγμα συγκράτησης του καλωδίου τροφοδοσίας στο δεξί σύνδεσμο της λαβής της παροχής τροφοδοσίας. Κάμψτε το καλώδιο τροφοδοσίας του συστήματος σε μορφή βρόχου όπως φαίνεται στο σχήμα και συνδέστε το στην αγκράφα του καλωδίου του στηρίγματος. Επαναλάβετε τη διαδικασία για τη δεύτερη παροχή τροφοδοσίας.

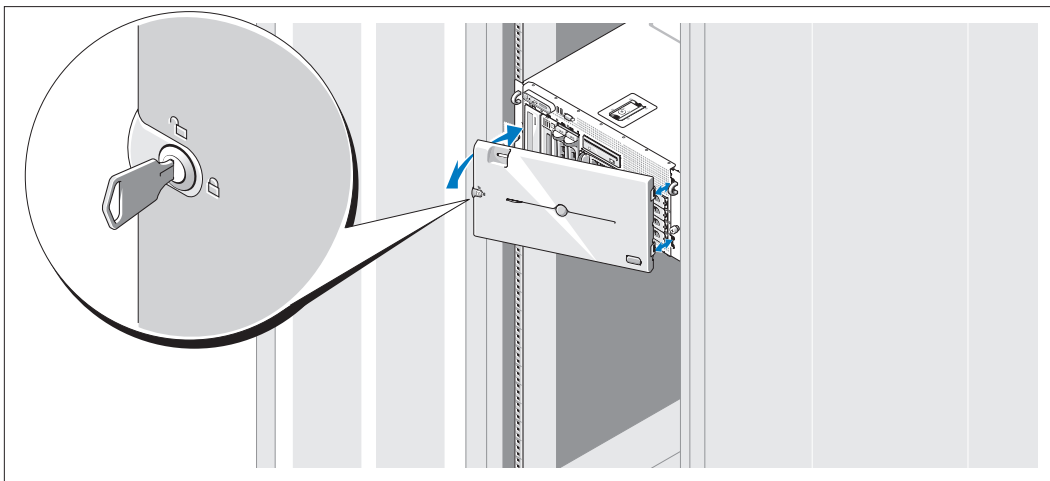
Ενεργοποίηση του συστήματος



- 7** Ενεργοποιήστε το σύστημα και την οθόνη (προαιρετικά).

Πιέστε το κουμπί τροφοδοσίας στο σύστημα και την οθόνη. Θα πρέπει να ανάψουν οι ενδείξεις λειτουργίας. Ρυθμίστε τα κουμπιά ελέγχου της οθόνης ώσπου η εικόνα που εμφανίζεται να σας ικανοποιεί.

Τοποθέτηση της στεφάνης συγκράτησης



- 8** Εγκαταστήστε τη στεφάνη συγκράτησης (προαιρετικά).

Ολοκληρώστε την εγκατάσταση του λειτουργικού συστήματος

Εάν έχετε αγοράσει ένα προεγκατεστημένο λειτουργικό σύστημα, ανατρέξτε στην τεκμηρίωση του λειτουργικού συστήματος που συνοδεύει το σύστημά σας. Για να εγκαταστήσετε ένα λειτουργικό σύστημα για πρώτη φορά, ανατρέξτε στον *Οδηγό γρήγορης εγκατάστασης*. Βεβαιωθείτε ότι το λειτουργικό σύστημα είναι εγκατεστημένο, πριν να εγκαταστήσετε υλικό ή λογισμικό που δεν έχετε αγοράσει μαζί με το σύστημα.

Τεχνικές προδιαγραφές

Επεξεργαστής

| | |
|-------------------|--|
| Τύπος επεξεργαστή | Ένας ή δύο επεξεργαστές διπλού πυρήνα Intel® Xeon® της σειράς 5000 |
|-------------------|--|

Δίαυλος επέκτασης

| | |
|---------------|------------------|
| Τύπος διαύλου | PCI, PCI-X, PCIe |
|---------------|------------------|

Υποδοχές επέκτασης

| | |
|-------|---|
| PCI-X | δύο πλήρους ύψους, πλήρους μήκους 3,3-V, 64-bit, 133-MHz (υποδοχές 1 και 2) |
| PCIe | μία x8 μακρόστενη υποδοχή, 3,3-V (υποδοχή 3) τρεις x4 μακρόστενες υποδοχές, 3,3-V (υποδοχές 4 έως 6) |

Μνήμη

| | |
|------------------------------|---|
| Αρχιτεκτονική. | Μνήμη 533 ή 667 MHz (όταν είναι διαθέσιμη) Fully Buffered DIMM (FBD) |
| Υποδοχές μονάδων μνήμης | δώδεκα με 240 ακίδες |
| Χωρητικότητες μονάδων μνήμης | 256 MB, 512 MB, 1 GB, 2 GB ή 4 GB |
| Ελάχιστη μνήμη RAM | 512 MB (δύο μονάδες των 256-MB) |
| Μέγιστη μνήμη RAM | 48 GB |

Μονάδες

| | |
|------------------------|---|
| Μονάδες σκληρού δίσκου | έως και δέκα εσωτερικές μονάδες 3,5 ιντσών, θερμής βυσμάτωσης, σύνδεσης SAS ή SATA <ul style="list-style-type: none">• οκτώ μονάδες στο εσωτερικό φατνίο• δύο μονάδες στην προαιρετική 1x2 επέκταση της κάτω επιφάνειας της πλάκας εύκαμπτου φατνίου |
| Μονάδα δισκέτας | μία προαιρετική 3,5 ιντσών, 1.44 MB προαιρετική εξωτερική μονάδα USB, 3,5 ιντσών, 1.44 MB |
| Μονάδα οπτικού δίσκου | μία προαιρετική μονάδα CD, DVD ή μια μονάδα συνδυασμού CD-RW/DVD ΣΗΜΕΙΩΣΗ: Οι μονάδες δίσκου DVD είναι μόνο για δεδομένα. προαιρετική εξωτερική μονάδα USB CD-ROM προαιρετική εξωτερική μονάδα USB DVD-ROM |
| Μονάδα μνήμης flash | προαιρετική εξωτερική μονάδα USB |

Συσκευτήρες

Πίσω

| | |
|---------------------------|---|
| Κάρτα διασύνδεσης δικτύου | Δύο RJ-45 (για ενσωματωμένες κάρτες διασύνδεσης δικτύου 1-GB) με δυνατότητα TOE |
| Σειριακή | 9 ακίδων, DTE, συμβατή με 16550 |
| USB | Τέσσερις 4 ακίδων, συμβατή με USB 2.0 |
| Οθόνη | VGA 15 ακίδων |

Εμπρός

| | |
|-------|----------------------------------|
| Οθόνη | VGA 15 ακίδων |
| USB | Δύο 4 ακίδων, συμβατή με USB 2.0 |

Οθόνη

| | |
|--------------|---|
| Τύπος οθόνης | Ελεγκτής οθόνης ATI ES1000, συσκευτήρες VGA |
| Μνήμη οθόνης | 16 MB μνήμης DDR SDRAM |

Τροφοδοσία

Τροφοδοσία AC (ανά παροχή τροφοδοσίας)

| | |
|-------------------------|---|
| Ηλεκτρική ισχύς σε Watt | 930 W |
| Τάση | 90–264 VAC, με αυτόματη επιλογή περιοχής, 47–63 Hz |
| Έκλυση θερμότητας | 2697 BTU/ώρα το μέγιστο |
| Μέγιστο ρεύμα εισροής | Κάτω από τυπικές συνθήκες γραμμής και πάνω από την περιοχή λειτουργίας περιβάλλοντος ολόκληρου του συστήματος, το ρεύμα εισροής μπορεί να αγγίξει τα 55 A ανά παροχή τροφοδοσίας για 10 ms ή λιγότερο |

Μπαταρίες

| | |
|-----------------------------|---|
| Μπαταρία συστήματος | CR 2032 3.0-V ιόντος λιθίου με κερματοειδή στοιχεία |
| Μπαταρία RAID (προαιρετικά) | 4,1-V ιόντος λιθίου |

Φυσικά χαρακτηριστικά

Ράφι

| | |
|----------------------------|---|
| Ύψος | 21,77 εκ. (8,57 ίντσες) |
| Μήκος | 44,27 εκ. (17,43 ίντσες) μόνο ο σκελετός 48,27 εκ. (19 ίντσες) με τα παρεμβύσματα του ραφιού |
| Πλάτος | 66,13 εκ. (26,04 ίντσες), δεν περιλαμβάνεται ο πίνακας ελέγχου ή η στεφάνη συγκράτησης. Ο πίνακας ελέγχου προσθέτει επιπλέον 1,3 εκ. (0,51 ίντσες). |
| Βάρος (μέγιστη διαμόρφωση) | 45,36 kg (100 λίβρες) |

Πύργος (χωρίς τη στεφάνη συγκράτησης)

| | |
|----------------------------|---|
| Ύψος | 47,89 εκ. (18,85 ίντσες) με βάσεις, χωρίς ροδάκια |
| Μήκος | 22,6 εκ. (8,92 ίντσες) |
| Πλάτος | 66,13 εκ. (26,04 ίντσες), δεν περιλαμβάνεται ο πίνακας ελέγχου ή η στεφάνη συγκράτησης. Ο πίνακας ελέγχου προσθέτει επιπλέον 1,3 εκ. (0,51 ίντσες). |
| Βάρος (μέγιστη διαμόρφωση) | 49,9 kg (110 λίβρες) |

Χαρακτηριστικά περιβάλλοντος

ΣΗΜΕΙΩΣΗ: Για επιπλέον πληροφορίες σχετικά με τις περιβαλλοντικές μετρήσεις για συγκεκριμένες διαμορφώσεις συστήματος, επισκεφτείτε τη διεύθυνση www.dell.com/environmental_datasheets.

Θερμοκρασία

| | |
|-------------|--------------------------------|
| Λειτουργίας | 10° έως 35°C (50° έως 95°F) |
| Αποθήκευσης | -40° έως 65°C (-40° έως 149°F) |

Σχετική υγρασία

| | |
|-------------|--|
| Λειτουργίας | 20% έως 80% (χωρίς συμπύκνωση) με μέγιστη βαθμίδα υγρασίας 10% ανά ώρα |
| Αποθήκευσης | 5% έως 95% (χωρίς συμπύκνωση) |

Μέγιστη ταλάντευση

| | |
|-------------|--|
| Λειτουργίας | 0,26 G από 5–350Hz για 2 λεπτά στον άξονα Z |
| Αποθήκευσης | 1,54 G από 10-250 Hz για 15 λεπτά προς όλες τις κατευθύνσεις |

Μέγιστη δόνηση

| | |
|-------------|---|
| Λειτουργίας | Ένας παλμός δόνησης στο θετικό τμήμα του άξονα z (ένας παλμός στην κάθε πλευρά του συστήματος) των 41 G για έως και 2 ms |
| Αποθήκευσης | Έξι διαδοχικά εκτελεσμένοι παλμοί δόνησης στο θετικό και αρνητικό τμήμα των αξόνων x, y και z (ένας παλμός στην κάθε πλευρά του συστήματος) των 71 G για έως και 2 ms |

Υψόμετρο

| | |
|-------------|---|
| Λειτουργίας | -16 έως 3.048 μέτρα (-50 έως 10.000 πόδια) |
| Αποθήκευσης | -16 έως 10.600 μέτρα (-50 έως 35.000 πόδια) |

Systemy Dell™ PowerEdge™ 2900

Rozpoczcie pracy z systemem

Uwagi, pouczenie i ostrzeżenia



UWAGA: UWAGA oznacza ważną informację, która pomoże lepiej wykorzystać komputer.



POUCZENIE: POUCZENIE wskazuje na możliwość uszkodzenia sprzętu lub utraty danych i informuje o sposobie uniknięcia problemu.



OSTRZEŻENIE: OSTRZEŻENIE wskazuje na możliwość zaistnienia sytuacji niebezpiecznej, której skutkiem mogą być uszkodzenia sprzętu, obrażenia ciała lub śmierć.

Informacje zamieszczone w tym dokumencie mogą zostać zmienione bez uprzedzenia.

© 2005 Dell Inc. Wszystkie prawa zastrzeżone.

Zabrania się powielania w jakiegokolwiek postaci bez pisemnej zgody firmy Dell Inc.

Znaki towarowe użyte w niniejszym tekście: *Dell* i logo *DELL* są znakami towarowymi firmy Dell Inc.; *Intel* i *Xeon* są zarejestrowanymi znakami towarowymi firmy Intel Corporation; *Microsoft* i *Windows* są zarejestrowanymi znakami towarowymi, a *Windows Server* jest znakiem towarowym firmy Microsoft Corporation; *Novell* i *NetWare* są zarejestrowanymi znakami towarowymi firmy Novell, Inc.; *Red Hat* jest zarejestrowanym znakiem towarowym firmy Red Hat, Inc.; *SUSE* jest zarejestrowanym znakiem towarowym firmy SUSE LINUX Products GmbH.

W niniejszym tekście mogą występować inne znaki towarowe i nazwy handlowe odnoszące się zarówno do podmiotów mających prawo do tych znaków i nazw, jak i do ich produktów. Dell Inc. nie zgłasza roszczeń do innych znaków i nazw handlowych poza swoimi.

Model ECM01

Listopad 2005

P/N FD152

Rev. A00

Funkcje systemu

Główne funkcje sprzętu i oprogramowania zainstalowanego w systemie obejmują:

- Jeden lub dwa procesory Dual-Core Intel® Xeon® 5000.
- Obsługę symetrycznego wieloprzetwarzania (SMP), która jest dostępna w systemach z dwoma procesorami Intel Xeon. SMP ogromnie poprawia ogólną wydajność systemu dzieląc operacje procesora pomiędzy niezależne procesory. Aby móc korzystać z tej funkcji, konieczne jest posiadanie systemu operacyjnego obsługującego wieloprzetwarzanie.



UWAGA: Jeżeli zdecydują się Państwo na rozbudowę systemu poprzez zainstalowanie drugiego procesora, konieczne będzie nabycie zestawów do rozbudowy i aktualizacji procesora firmy Dell. Nie wszystkie wersje procesorów Intel Xeon będą prawidłowo funkcjonować jako procesory dodatkowe. Zestawy do rozbudowy i aktualizacji firmy Dell zawiera prawidłową wersję procesora, ujęcie ciepła oraz wentylator, jak również instrukcję przeprowadzenia rozbudowy i aktualizacji.

- Minimum 512 MB z 533 lub 667 (jeżeli takowe są dostępne) MHz, całkowicie buforowana pamięć DIMM (FBD), rozszerzalna do maksimum 48 GB poprzez zainstalowanie kombinacji modułów pamięci 256-MB, 512-MB, 1-GB, 2-GB lub 4-GB w dwunastu gniazdach przeznaczonych na moduły pamięci dostępnych na płycie systemowej.

System posiada również funkcję pamięci nadmiarowej, która zapewnia oszczędność pamięci lub funkcję kopii zwierciadlanej pamięci. Każda z tych funkcji jest dostępna, jeżeli zainstalowanych jest osiem lub dwanaście identycznych modułów pamięci.

- Obsługa aż do dziesięciu 3,5 calowych wewnętrznych dysków twardych SCSI (SAS) lub SATA podłączanych szeregowo podczas pracy urządzenia (osiem 3,5 calowych wewnętrznych dysków twardych z tablicą połączeń podłączaną podczas pracy urządzenia oraz obsługa dwóch dodatkowych dysków 3,5 calowych we wnękach peryferyjnych korzystających z opcjonalnej tablicy płąceń 1x2 flexbay).
- Wnęka peryferyjna obsługuje opcjonalny napęd optyczny i opcjonalny rezerwowy napęd taśmowy (TBU) o połówkowej wysokości. Napęd TBU o pełnej wysokości jest obsługiwany po usunięciu wspornika 1x2 flexbay.
- Opcjonalna pojedyncza stacja dyskietek 3,5 calowych 1.44-MB.
- Opcjonalny napęd CD, DVD, lub kombinacja napędów CD-RW/DVD.



UWAGA: Urządzenia DVD są przeznaczone tylko do danych.

- Przełącznik wykrywania włamań, który sygnalizuje prawidłowe oprogramowanie zarządzania systemem, jeżeli górna pokrywa jest otwarta.
- Aż do dwóch zasilaczy 930-W podłączanych podczas pracy urządzenia w konfiguracji nadmiarowej 1 + 1.
- Sześć wentylatorów do chłodzenia systemu podłączanych podczas pracy urządzenia.

Płyta systemowa zawiera następujące funkcje:

- Sze slotów PCI umieszczonych w klatce karty rozszerze. Sloty 1 i 2 s to sloty PCI-X 3.3-V, 64-bitowe, 133-MHz, slot 3 jest slotem PCIe x8 a 3.3-V, sloty 4 do 6 s to sloty PCIe x4 3.3-V. Sloty kart rozszerze obsługują karty rozszerze o pełnej - wysokości i pełnej-długości. Sloty PCIe obsługują do 8 kart rozszerze.
- Jest to slot PCI przeznaczony dla zintegrowanego złącza szyny hosta SAS lub opcjonalnej karty kontrolera RAID z 256 MB pamięci podręcznej i baterii RAID.



UWAGA: Uruchamianie systemu nie jest obsługiwane z urządzenia zewnętrznego podłączonego do zasilacza SAS lub SCSI, w tym z SAS 5/E, PERC 5/E lub PERC 4e/DC. Odwiedź strony internetowe support.dell.com, aby uzyskać najaktualniejsze informacje o uruchamianiu systemu z urządzeń zewnętrznych.


- Dwa zintegrowane moduły Gigabit Ethernet NIC, obsługujące szybkość transmisji danych 10-Mbps, 100-Mbps i 1000 -Mbps.
- Dwa złącza kompatybilne z USB 2.0 (dwa z przodu i dwa z tyłu), obsługujące stację dyskiectek, napęd CD-ROM lub DVD-ROM, klawiaturę, mysz lub napęd USB flash.
- Opcjonalny kontroler zdalnego dostępu (RAC) do zdalnego zarządzania systemem.
- Zintegrowany podsystem kompatybilny z grafiką VGA z kontrolerem grafiki ATI ES1000, 33-MHz PCI. Ten podsystem grafiki posiada 16 MB pamięci DDR SDRAM dla grafiki (nie może być rozbudowany). Maksymalna rozdzielczość 1600 x 1200 z 64 K kolorów, grafika w kolorach rzeczywistych jest obsługiwana przy następujących rozdzielczościach: 640 x 480, 800 x 600, 1024 x 768, 1152 x 864 oraz 1280 x 1024. Gdy zainstalowany jest opcjonalny moduł RAC, rozdzielczość grafiki wynosi 1024 X 768.
- Obwody zarządzania systemami, które monitorują działanie wentylatorów systemu, jak również napięcie krytyczne i temperatury krytyczne systemu. Obwody zarządzania systemami pracują w połączeniu z oprogramowaniem do zarządzania systemami.
- Standardowy kontroler zarządzania listwą dostępną szeregowo.
- Złącza umieszczone na panelu tylnym obejmują jedno złącze szeregowo, jedno złącze karty grafiki, cztery złącza USB i dwa złącza kart NIC.
- Złącza umieszczone na panelu przednim obejmują jedno złącze grafiki i dwa złącza USB.
- 1x5 diod LCD na panelu przednim dla identyfikatora systemu i komunikatów o błędach.
- Przycisk identyfikatora systemu na przednim i tylnym panelu.

Aby uzyskać więcej informacji o poszczególnych funkcjach, proszę zapoznać się z rozdziałem „Specyfikacja techniczna” na stronie 72.

Obsługiwane systemy operacyjne

- Microsoft® Windows Server™ 2003 Standard/Enterprise Editions (wersja standardowa i dla firm)
- Microsoft Windows Small Business Server 2003, wersje Standard i Premium.
- Microsoft Windows Server 2003 wersje Standard oraz Enterprise (dla firm) x 64
- Red Hat® Enterprise Linux AS, ES oraz WS (wersja 3 i 4) dla Intel x 86
- Red Hat Enterprise Linux AS, ES, WS (wersja 4) dla technologii Intel Extended Memory 64 (IntelEM64T)
- SUSE® Linux Enterprise Server 9 dla Intel EM64T
- Novell® NetWare® 6.5 (jeeli takowy jest dostpny - nie jest on instalowany fabrycznie)

Inne przydatne informacje

 **OSTRZEŻENIE: Przewodnik po informacjach o produkcie dostarcza wanych informacji dotyczących bezpieczeństwa oraz informacji prawnych. Informacje dotyczące gwarancji mogą zostać zamieszczone w tym dokumencie lub dostarczone jako oddzielny dokument.**

- *Instrukcja instalacji stela* lub *Przewodnik instalacji stela* dostarczony wraz ze stelaem opisuje sposób instalacji systemu na stela.
- *Podrecznik uytkownika sprztu* dostarcza informacji o funkcjach systemu i opisuje sposób rozwiązywania problemów zaistniałych podczas uytkowania systemu oraz sposób instalacji lub wymiany elementów systemu. *Podrecznik uytkownika sprztu* jest dostpny na pycie CD dostarczonej wraz z systemem lub na stronie internetowej **support.dell.com**.
- Pyta CD doczona do systemu dostarcza dokumentacji i narzdzi niezbdnych do konfigurowania systemu i zarzdzania nim.
- Informacje handlowe o wersji systemu lub pliki readme mogą być dołączone do systemu w celu dostarczenia uaktualnień wprowadzonych do systemu lub dokumentacji w ostatniej chwili lub mogą stanowić zaawansowany materiał referencyjny przeznaczony dla doświadczonych uytkowników lub personelu technicznego.

Uzyskiwanie pomocy technicznej

Jeżeli nie rozumieją Państwo procedur opisanych w tym przewodniku lub jeżeli system nie działa zgodnie z oczekiwaniami, proszę zapoznać się z *Podrecznikiem uytkownika sprztu*.

Dostępne są również szkolenia i certyfikaty firmy Dell Enterprise – proszę odwiedzić stronę internetową **www.dell.com/training** w celu uzyskania dalszych informacji. Ta usługa może nie być dostpna we wszystkich miejscach.

Instalacja i konfiguracja

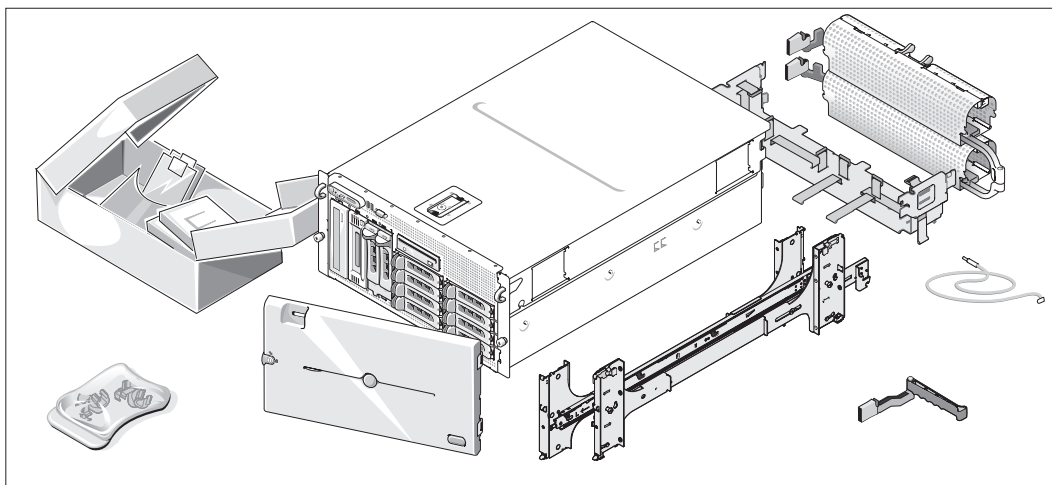
⚠ OSTRZEŻENIE: Przed wykonaniem poniższej procedury należy przeczytać i zastosować się do instrukcji bezpieczeństwa oraz ważnych informacji prawnych zamieszczonych w *Przewodniku po informacjach o produkcie*.

Ta sekcja opisuje czynności, które mają być wykonane podczas konfigurowania systemu po raz pierwszy. Ilustracje przedstawiają system montowany na stelażu, ale informacje dotyczące procedur instalacyjnych odnoszą się w dużej mierze do systemów wolnostojących. Zamiast do informacji dotyczących instalacji stelaża w punkcie 2, proszę odnieść się do dokumentacji dostarczonej wraz z systemem, opisującej instalację stopek stabilizatora na systemie.

⚠ OSTRZEŻENIE: Zainstalowanie stopek w przypadku systemu wolnostojącego jest niezbędne dla zapewnienia mu stabilności. Niezainstalowanie stopek stwarza ryzyko przewrócenia się systemu, co może spowodować obrażenia ciała lub uszkodzenie systemu.

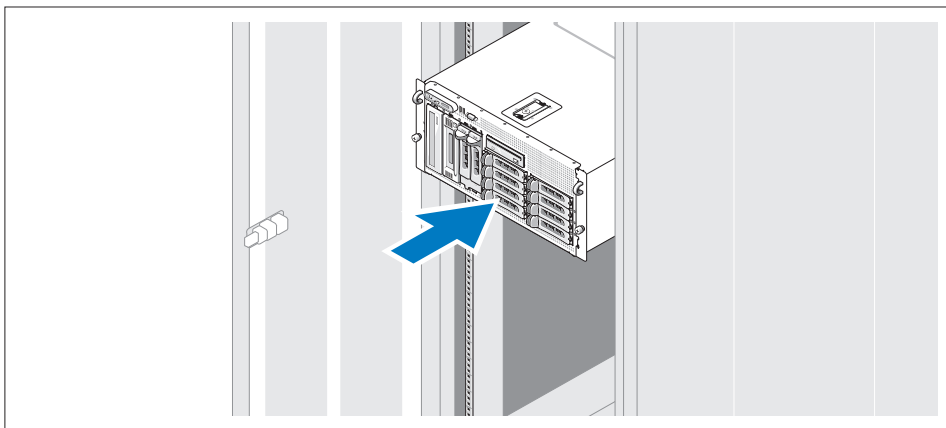
⚠ OSTRZEŻENIE: Za każdym razem, gdy konieczne jest podniesienie systemu, proszę poprosić o pomoc drugą osobę. Aby uniknąć obrażeń, proszę nie próbować podnosić systemu samodzielnie.

Rozpakowanie systemu



- 1** Proszę rozpakować system i zidentyfikować jego poszczególne elementy.
Zachowaj wszystkie opakowania na wypadek potrzeby późniejszego ich wykorzystania.

Instalowanie prowadnic i systemu w stelażu

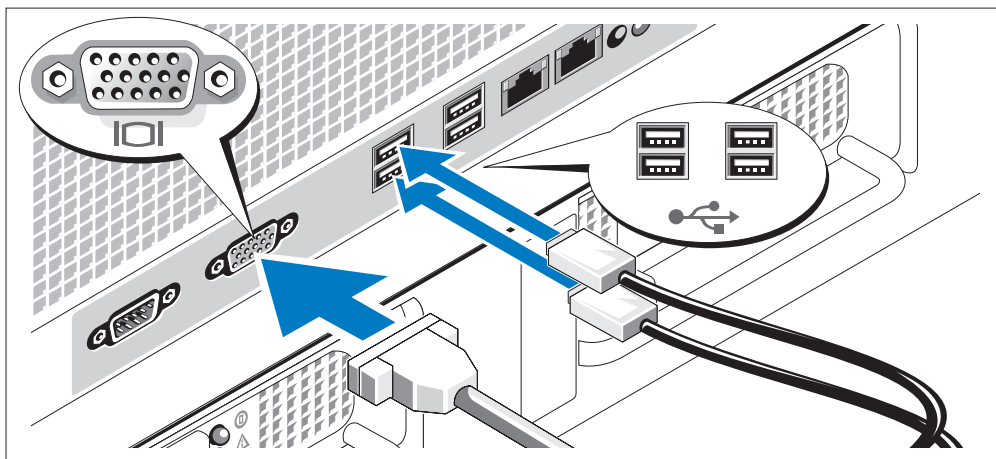


- 2 Po przeczytaniu „Instrukcji dotyczących bezpieczeństwa” przedstawionych w dokumentacji instalacyjnej stelaża przeznaczonego dla systemu, proszę zainstalować na stelażu prowadnice i system.

W celu uzyskania instrukcji dotyczących instalowania systemu w stelażu, należy przejrzeć dokumentację instalacji stelaża.

W przypadku systemu w formie wieży, proszę zapoznać się z dokumentacją dołączoną wraz z systemem i przeczytać informacje o tym, jak należy instalować stopki stabilizatora.

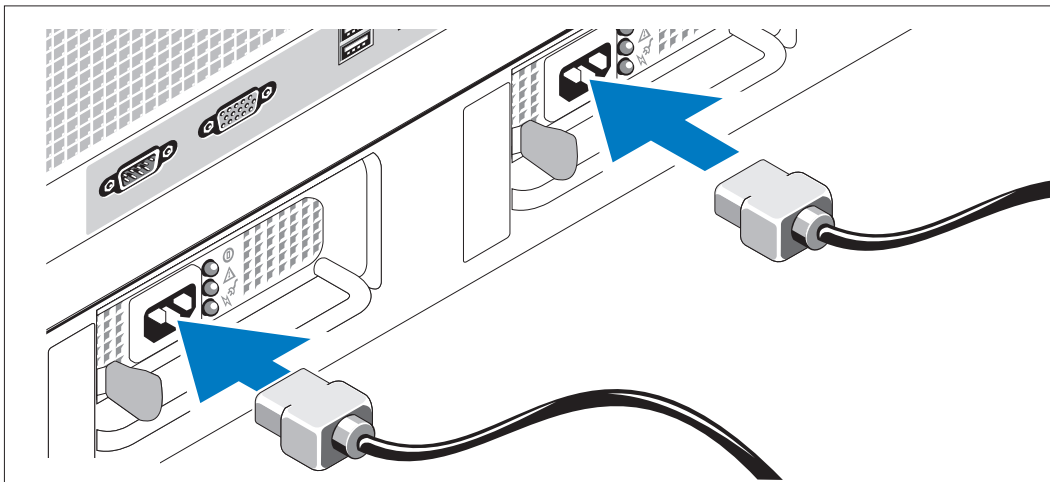
Podczenie klawiatury, myszy i monitora



- 3 Prosz podczy klawiatur, mysz i monitor (opcjonalny).

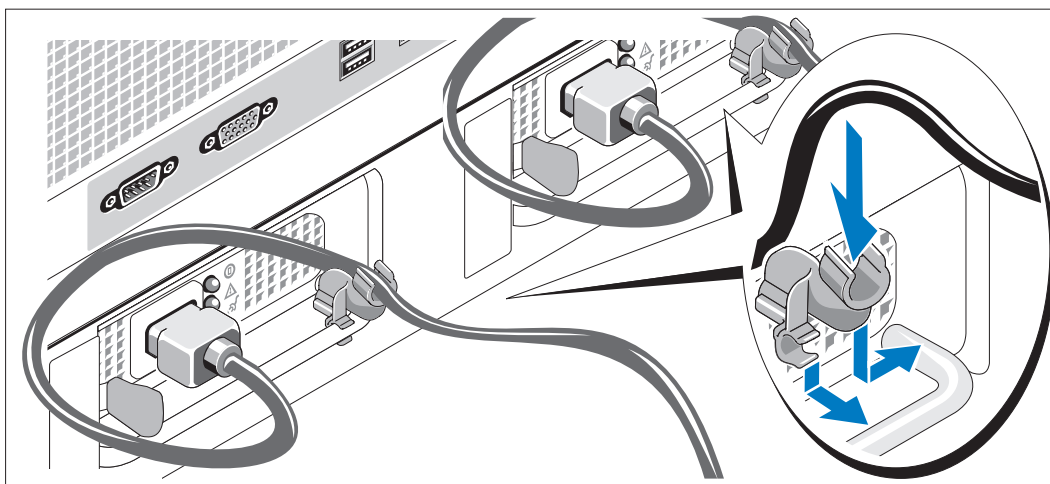
Zcza w tylnej czci systemu oznaczone s ikonami, wskazujcymi kabel, który naley podczy do kadego zcza. Naley upewni si, e dokrczone s ruby na zczu kabla monitora (o ile wystpuj).

Podczanie zasilania



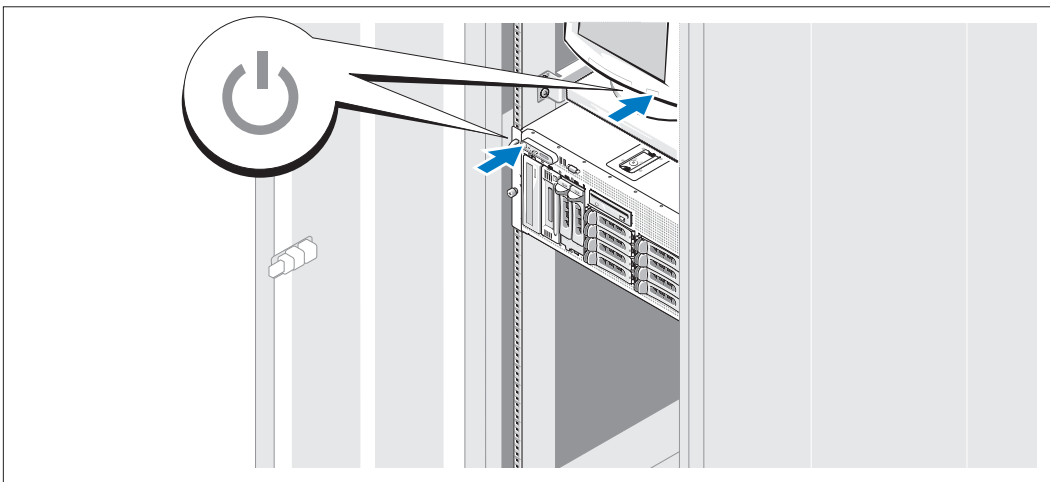
- 4 Podczy kable zasilania do systemu.
- 5 Następnie podczy drugi kocówk tych kabli do uziemionego gniazdka zasilania lub oddzielnego ród zasilania, jak np. do zasilania bezprzerwowego (UPS) lub do jednostki rozdzielu zasilania (PDU).

Mocowanie wspornika podtrzymującego kabel zasilania



- 6 Prosz podczy wspornik podtrzymujący kabel zasilania do prawego wza na uchwycie zasilacza. Prosz utworzy na kablu zasilacza pól w taki sposób, jak pokazano na ilustracji i prosz j przymocowa do zacisku kabla na wsporniku. Powtórzy t sam procedur dla drugiego zasilacza.

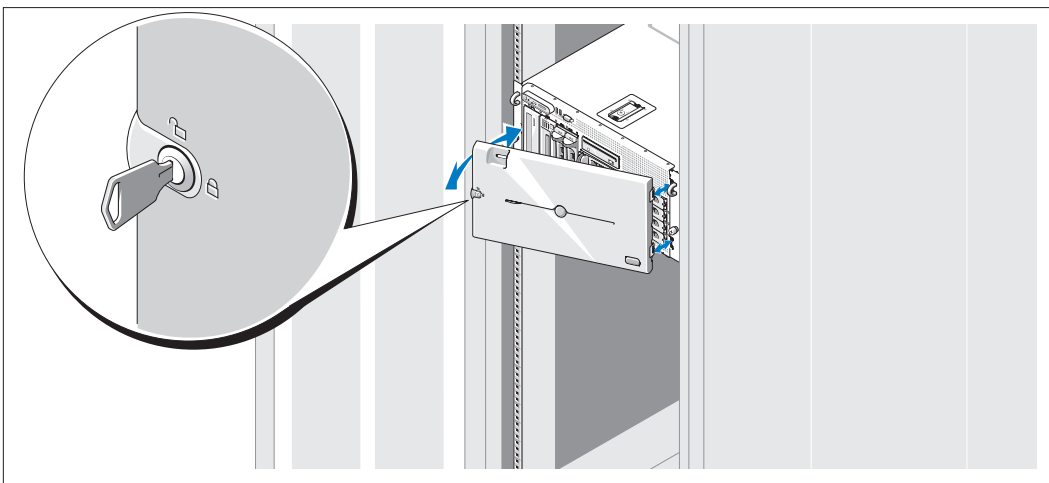
Wczanie systemu



- 7** Proszę wcząć monitor (opcjonalny) i system.

Proszę nacisnąć przycisk zasilania na monitorze i systemie. Powinny zaświecić się wskaźniki zasilania. Proszę wyregulować ustawienia monitora, aby uzyskać odpowiedni obraz.

Instalowanie ramki



- 8** Proszę zainstalować ramkę systemową (opcjonalną).

Zakończenie konfiguracji systemu operacyjnego

Jeżeli zakupili Państwo system operacyjny zainstalowany fabrycznie, proszę zapoznać się z dokumentacją systemu operacyjnego dostarczonego wraz z systemem. Aby zainstalować system operacyjny po raz pierwszy, należy zapoznać się z *Przewodnikiem Szybkiej Instalacji*. Przed instalacją sprzętu lub oprogramowania nie nabytego wraz z systemem, należy upewnić się, czy w komputerze został zainstalowany system operacyjny.

Specyfikacja techniczna

Procesor

| | |
|---------------|--|
| Typ procesora | Jeden lub dwa procesory Dual-Core Intel® Xeon® 5000 |
|---------------|--|

Szyna rozszerze

| | |
|-----------|------------------|
| Typ szyny | PCI, PCI-X, PCIe |
|-----------|------------------|

Sloty rozszerze

| | |
|-------|--|
| PCI-X | dwa o pełnej wysokości i pełnej długości 3.3-V, 64-bitowe, 133-MHz (slot 1 i 2) |
| PCIe | jeden x 8 dla 3.3-V (slot 3) trzy x4 , 3.3-V (sloty 4 do 6) |

Pamięć

| | |
|---------------------------|---|
| Architektura | 533 lub 667 (jeżeli taka jest dostępna) MHz, całkowicie buforowana pamięć DIMM (FBD) |
| Gniazda modułów pamięci | dwanacie gniazd 240-pinowych |
| Pojemność modułów pamięci | 256 MB, 512 MB, 1 GB, 2 GB lub 4 GB |
| Minimum RAM | 512 MB (dwa moduły 256-MB) |
| Maksimum RAM | 48 GB |

| | |
|------------------|--|
| Napdy | |
| Dyski twarde | <p>aż do dziesięciu 3,5 calowych dysków wewnętrznych SAS lub SATA podłączanych podczas pracy urządzenia</p> <ul style="list-style-type: none"> • osiem napędów w wewnętrznej wnęce napędu • dwa napędy w opcjonalnym rozszerzeniu tablicy połączeń 1x2 flexbay |
| stacja dyskietek | <p>Jedna opcjonalna stacja dyskietek 3,5 calowych, 1.44-MB opcjonalny zewnętrzny napd USB 3,5 calowy, 1.44-MB</p> |
| Napęd optyczny | <p>Jeden opcjonalny napęd CD, DVD, lub kombinacja napędów CD-RW/DVD NOTA: Urządzenia DVD są przeznaczone tylko do danych. Opcjonalny zewnętrzny napęd CD-ROM typu USB opcjonalny zewnętrzny napd DVD-ROM typu USB</p> |
| Napd Flash | zewnętrzny opcjonalny USB |

Zcza

Tylny

| | |
|-----------|--|
| NIC | Dwa zcza RJ-45 (dla zintegrowanej 1-GB karty NIC) typu TOE |
| szeregowy | 9-pinowy, DTE, kompatybilny z 16550 |
| USB | Cztery 4-pinowe, kompatybilne z USB 2.0 |
| Grafika | 15-pinowa karta VGA |

Przedni

| | |
|---------|--------------------------------------|
| Grafika | 15-pinowa karta VGA |
| USB | Dwa 4-pinowe, kompatybilne z USB 2.0 |

Grafika

| | |
|--------------|--|
| Typ grafiki | Kontroler grafiki ATI ES1000, zcza VGA |
| Pami grafiki | 16 MB pamici DDR SDRAM |

Zasilanie

Zasilacz AC (do zasilania prdem zmiennym)

| | |
|----------------------------|---|
| Moc | 930 W |
| Napicie | 90–264 VAC, automatyczne dopasowywanie zakresu, 47–63 Hz |
| Rozproszenie ciepła | 2697 BTU/godz. - max. |
| min. napiecie przy wczeniu | Przy typowych warunkach dla całego zakresu uwarunkowa otoczenia dla systemu, prd przy wczeniu moe osign 55 A dla kadego zasilacza przy 10 ms lub mniej. |

Baterie

| | |
|---------------------------|-----------------------------|
| Bateria systemu | Ogniwo li-ion CR 2032 3.0-V |
| Bateria RAID (opcjonalna) | 4.1-V li-ion |

Cechy fizyczne

Stela

| | |
|--------------------------------|--|
| Wysoko | 21.77 cm (8.57 cali) |
| Szeroko | 44.27 cm (17.43 cali) tylko w obudowie 48.27 cm (19 in) z flanszami stela |
| Gboko | 66.13 cm (26.04 cali) nie obejmuje panelu sterowania lub ramki, panel sterowania dodaje 1.3 cm (0,51 cala) |
| Waga (konfiguracja maksymalna) | 45.36 kg (100 funtów) |

Wiewa (bez ramki)

| | |
|--------------------------------|--|
| Wysoko | 47.89 cm (18.85 cali) ze stopkami, bez rolek. |
| Szeroko | 22.66 cm (8.92 cali) |
| Gboko | 66.13 cm (26.04 cali) nie obejmuje panelu sterowania lub ramki, panel sterowania dodaje 1.3 cm (0,51 cala) |
| Waga (konfiguracja maksymalna) | 49.9 kg (110 funtów) |

Warunki panujące w otoczeniu

NOTA: Dla uzyskania dodatkowych informacji o warunkach panujących w otoczeniu dla poszczególnych konfiguracji systemu, prosz odwiedzi stron internetow www.dell.com/environmental_datasheets

Temperatura:

| | |
|------------------------|------------------------------|
| Podczas eksploatacji | 10° do 35°C (50° do 95°C) |
| Podczas przechowywania | -40° do 65°C (-40° do 149°F) |

Wilgotno względna

| | |
|------------------------|--|
| Podczas eksploatacji | 20% do 80% (bez kondensacji) przy maksymalnym gradientcie wilgotnoci wynoszcym 10% na godzin |
| Podczas przechowywania | 5% do 95% (przy braku kondensacji) |

Maksymalne natężenie wibracji

| | |
|------------------------|---|
| Podczas eksploatacji | 0.26 G od 5–350 Hz przez 2 min na osi Z |
| Podczas przechowywania | 1.54 G od 10–250 Hz przez 15 min we wszystkich kierunkach |

Maksymalne wstrząsy

| | |
|------------------------|---|
| Podczas eksploatacji | Jeden wstrzrs na osi dodatniej (jeden wstrzrs po kadej stronie systemu) o sile 41 G a do 2 ms |
| Podczas przechowywania | Sześć kolejnych wstrząsów na osi dodatniej i ujemnej x, z oraz osi z (jeden wstrząs po każdej stronie systemu) o sile 71 G aż do 2 ms |


Wysokość


| | |
|------------------------|--------------------------------------|
| Podczas eksploatacji | -16 do 3048 m (-50 do 10,000 stóp) |
| Podczas przechowywania | -16 do 10 600 m (-50 do 35,000 stóp) |

Системы Dell™ PowerEdge™ 2900

Начало работы с системой

Примечания, символы внимания и предупреждения

 **ПРИМЕЧАНИЕ:** Подзаголовок ПРИМЕЧАНИЕ указывает на важную информацию, которая поможет использовать компьютер более эффективно.

 **ВНИМАНИЕ:** ВНИМАНИЕ указывает на возможность повреждения оборудования или потери данных и объясняет, как этого избежать.

 **ПРЕДУПРЕЖДЕНИЕ:** ПРЕДУПРЕЖДЕНИЕ указывает на потенциальную опасность повреждения имущества, получения травмы или возникновения угрозы для жизни.

Информация в этом документе может быть изменена без предварительного уведомления.

© 2005 Dell Inc. Все права защищены.

Воспроизведение любой части данного документа любым способом без письменного разрешения корпорации Dell Inc. строго воспрещается.

Товарные знаки, использованные в этом документе: *Dell* и логотип *DELL* являются товарными знаками корпорации Dell Inc.; *Intel* и *Xeon* – зарегистрированные товарные знаки; *Microsoft* и *Windows* – зарегистрированные товарные знаки, а *Windows Server* – товарный знак корпорации Microsoft; *Novell* и *NetWare* – зарегистрированные товарные знаки корпорации Novell; *Red Hat* – зарегистрированный товарный знак корпорации Red Hat; *SUSE* – зарегистрированный товарный знак компании SUSE LINUX Products GmbH.

Остальные товарные знаки и названия продуктов могут использоваться в этом руководстве для обозначения компаний, заявляющих права на товарные знаки и названия, или продуктов этих компаний. Корпорация Dell Inc. не заявляет прав ни на какие товарные знаки и названия, кроме собственных.

Модель ESM01

Ноябрь 2005

P/N FD152

Rev. A00

Компоненты системы

Ниже перечислены основные характеристики аппаратного и программного обеспечения системы.

- Один или два двухядерных процессора Intel® Xeon® серии 5000.
- Поддержка симметричной многопроцессорной обработки (SMP), реализованной в системах с двумя процессорами Intel Xeon. SMP значительно повышает общую производительность системы благодаря распределению вычислительных операций между двумя независимыми процессорами. Чтобы воспользоваться преимуществами этой функции, необходима операционная система, поддерживающая многопроцессорную обработку.



ПРИМЕЧАНИЕ: Если необходимо модернизировать систему и установить второй процессор, следует заказать комплект для процессорной модернизации в корпорации Dell. Не все версии процессоров Intel Xeon корректно работают в качестве дополнительных процессоров. В комплект Dell для модернизации входит процессор подходящей версии, радиатор и вентилятор, а также инструкции по проведению модернизации.

- Не менее 512 Мб памяти с частотой 533 или 667 МГц (если доступна), модули DIMM с полной буферизацией, возможность наращивания до 48 Гб путем установки комбинаций модулей памяти объема 256 Мб, 512 Мб, 1 Гб, 2 Гб или 4 Гб в двенадцати гнездах для модулей памяти на системной плате.

Кроме того, система характеризуется наличием избыточной памяти, что обеспечивает резервирование или зеркальное отображение памяти. Каждая из этих возможностей доступна только в случае установки двенадцати идентичных модулей памяти.

- Поддержка до десяти 3,5-дюймовых внутренних жестких дисков SAS или SATA с возможностью “горячей” замены (восемь 3,5-дюймовых устройств с объединительной платой, подключаемой в “горячем” режиме, и поддержка двух дополнительных 3,5-дюймовых устройств в периферийном отсеке, подключаемых с помощью дополнительной объединительной платы 1x2 FlexBay).
- Периферийный отсек обеспечивает поддержку дополнительного дисковод оптических дисков и ленточного накопителя для резервного копирования половинной высоты. После удаления кронштейна 1x2 FlexBay возможна поддержка ленточного накопителя полной высоты.
- Один дополнительный дисковод гибких дисков (1,44 Мб, 3,5 дюйма).
- Одно дополнительные дисковод компакт- или DVD-дисков или комбинированное устройство CD-RW/DVD.



ПРИМЕЧАНИЕ: Устройства DVD предназначены только для данных.

- Детектор открытия корпуса, сигнализирующий соответствующему программному обеспечению управления системой о том, что открыта верхняя крышка.
- До двух блоков питания с возможностью горячей замены мощностью 930 Вт в конфигурации с резервированием 1 + 1.
- Шесть вентиляторов охлаждения системы с возможностью горячей замены.

На системной плате имеются:

- Шесть разъемов PCI, расположенных в каркасе платы расширения. Разъемы 1 и 2 – 64-разрядные разъемы PCI-X с питанием 3,3 В и частотой 133 МГц, разъем 3 – 8-канальный разъем PCIe, разъемы 4-6 – 4-канальные разъемы PCIe с питанием 3,3 В. Разъемы для плат расширения позволяют устанавливать платы расширения полной-высоты и полной-длины. Разъемы PCIe совместимы с платами расширения с 8 каналами и менее.
- Выделенный разъем PCI для интегрированного HBA-адаптера SAS или дополнительной платы интегрированного контроллера с 256 Мб кэш-памяти и батареей RAID.



ПРИМЕЧАНИЕ: Не поддерживается загрузка системы с внешних устройств, подключенных к адаптеру SAS или SCSI, включая SAS 5/E, PERC 5/E или PERC 4e/DC. Дополнительную информацию о поддержке загрузки системы с внешних устройств можно найти на сайте support.dell.com


- Два встроенных контроллера сетевого интерфейса Gigabit Ethernet, обеспечивающих поддержку передачи данных со скоростями 10 Мбит/с, 100 Мбит/с и 1000 Мбит/с.
- Шесть разъемов, совместимых со стандартом USB 2.0 (два на передней и два на задней панели), обеспечивающие поддержку дисководов гибких дисков, дисковода компакт-дисков, клавиатуры, мыши или флэш-памяти USB.
- Необязательный контроллер RAC (Remote Access Controller [контроллер удаленного доступа]) для удаленного управления системой.
- Встроенная VGA-совместимая видеоподсистема с видеоконтроллером ATI ES1000 на шине PCI с частотой 33 МГц. Содержит 16 Мб видеопамати DDR SDRAM (без возможности модернизации). Максимальное разрешение 1600x1200 при 64 000 цветах; поддерживается отображение в естественных цветах при следующих разрешениях: 640 x 480, 800 x 600, 1024 x 768, 1152 x 864 и 1280 x 1024. Если установлена дополнительная плата RAC, используется разрешение видеоизображения 1024 X 768.
- Схема управления системой, следящая за работой вентиляторов, а также за напряжением питания и рабочей температурой системы. Схема управления системой работает совместно с программным обеспечением для управления системой.
- Стандартный контроллер управления материнской платой с последовательным доступом.
- На задней панели присутствуют разъем последовательного порта, видеоразъем, четыре USB-разъема и два разъема сетевых интерфейсных карт.
- На передней панели имеются видеоразъем и два разъема USB.
- 1x5 ЖК-дисплей на передней панели для отображения системного идентификатора и сообщений об ошибках.
- Кнопка ввода системного идентификатора на передней и задней панелях.

Более подробную информацию об отдельных компонентах см. в разделе “Технические характеристики” на стр. 86.

Поддерживаемые операционные системы

- Microsoft® Windows Server™ 2003 Standard Edition и Enterprise Edition
- Microsoft Windows Small Business Server 2003, Standard Edition и Premium Edition
- Microsoft Windows Server 2003, Standard Edition и Enterprise x64 Edition
- Red Hat® Enterprise Linux AS и ES (версии 3 и 4) для Intel x86
- Red Hat Enterprise Linux AS и ES (версия 4) для технологии Extended Memory 64 компании Intel (Intel EM64T)
- SUSE® Linux Enterprise Server 9 для Intel EM64T
- Novell® NetWare® 6.5 (если доступно; не доступно в конфигурации предварительной установки)

Прочая полезная информация

 **ПРЕДУПРЕЖДЕНИЕ:** В документе *Product Information Guide* (Информационное руководство по продуктам) приведена важная информация о безопасности, а также нормативная информация. Гарантийная информация может включаться в состав данного документа или в отдельный документ.

- Документ *Rack Installation Instructions* (Инструкции по установке в стойку) или *Rack Installation Guide* (Руководство по установке в стойку), поставляемые со стойкой, описывают процедуру монтажа системы в стойку.
- В документе *Hardware Owner's Manual* (Руководство пользователя оборудования) предоставляется информация о характеристиках системы и описан порядок устранения неисправностей системы и установки или замены ее компонентов. Руководство *Hardware Owner's Manual* можно найти на компакт-дисках, поставляемых вместе с системой или на веб-сайте **support.dell.com**.
- Компакт-диски, поставляемые вместе с системой, предоставляют документацию, а также средства настройки системы и управления ею.
- В комплект поставки могут включаться файлы с информацией о версии или файлы “Readme” с описанием последних обновлений и изменений в системе или с дополнительной технической информацией, предназначенной для опытных пользователей и обслуживающего персонала.

Получение технической поддержки

В случае непонимания приведенной в настоящем руководстве процедуры или если система не работает должным образом, см. документ *Hardware Owner's Manual* (Руководство пользователя оборудования). С программой обучения и сертификации корпорации Dell (Enterprise Training & Certification) можно ознакомиться на сайте **www.dell.com/training**. Услуги обучения и сертификации доступны не во всех регионах.

Установка и конфигурирование

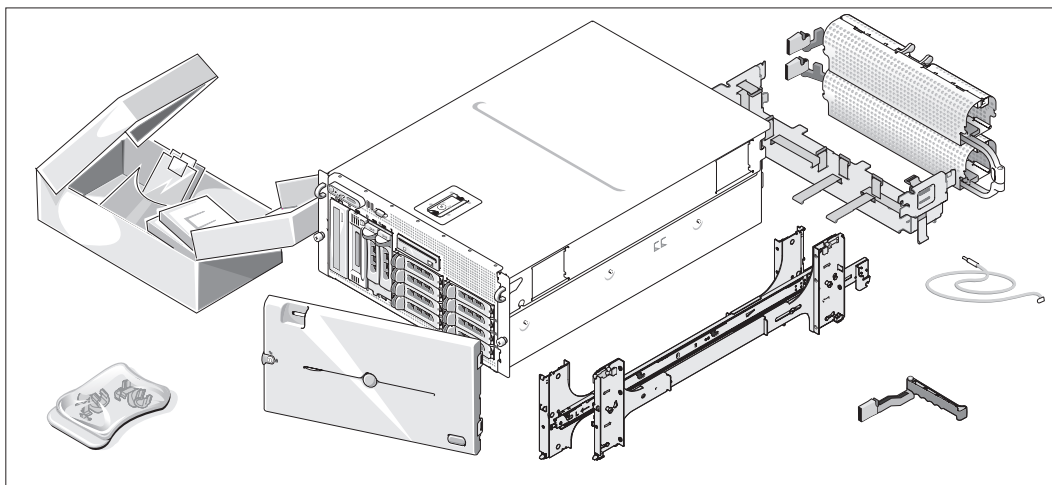
⚠ ПРЕДУПРЕЖДЕНИЕ: Перед выполнением описанных ниже процедур ознакомьтесь с инструкциями по технике безопасности и важной нормативной информацией в документе *Информационное руководство по продуктам*.

В данном разделе описываются действия по первоначальной установке системы. На представленных ниже рисунках показана система, смонтированная в стойке. Однако приведенная процедура установки применима к большей части систем с отдельным корпусом. Вместо действия 2 по установке системы в стойку см. описание установки стабилизирующих опор в документации, поставляемой вместе с системой.

⚠ ПРЕДУПРЕЖДЕНИЕ: Установка такой опоры для систем отдельным корпусом необходима для обеспечения устойчивого фундамента системы. Отсутствие стабилизирующих опор повышает риск опрокидывания системы, что может повредить систему или вызывать телесные повреждения.

⚠ ПРЕДУПРЕЖДЕНИЕ: Для поднятия системы необходимо прибегнуть к помощи других лиц. Во избежание телесных повреждений не пытайтесь поднимать систему самостоятельно.

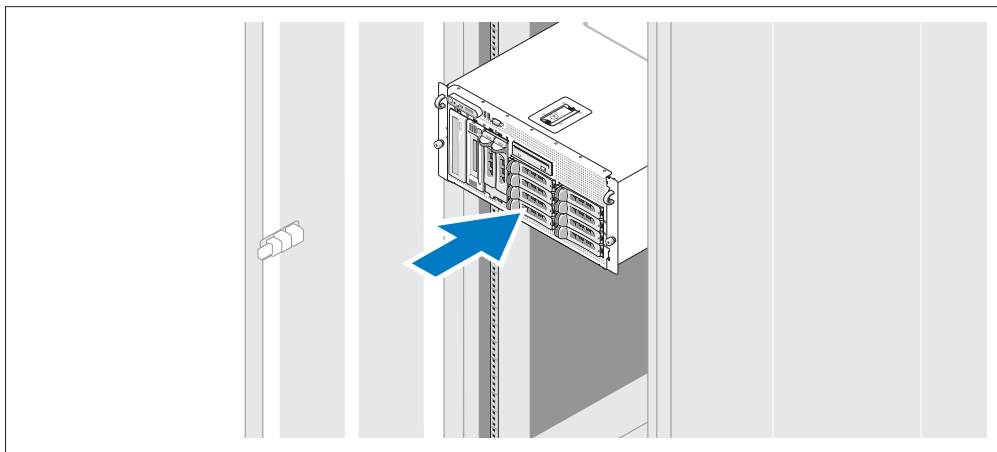
Распаковка системы



1 Распакуйте систему и идентифицируйте каждый элемент.

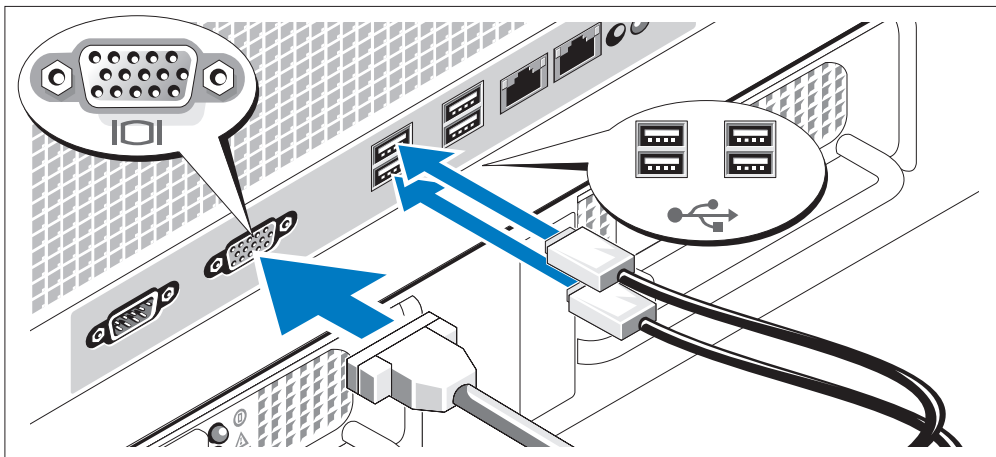
Сохраните все поставляемые материалы, так как они могут понадобиться в дальнейшем.

Установка направляющих кронштейнов и системы в стойку



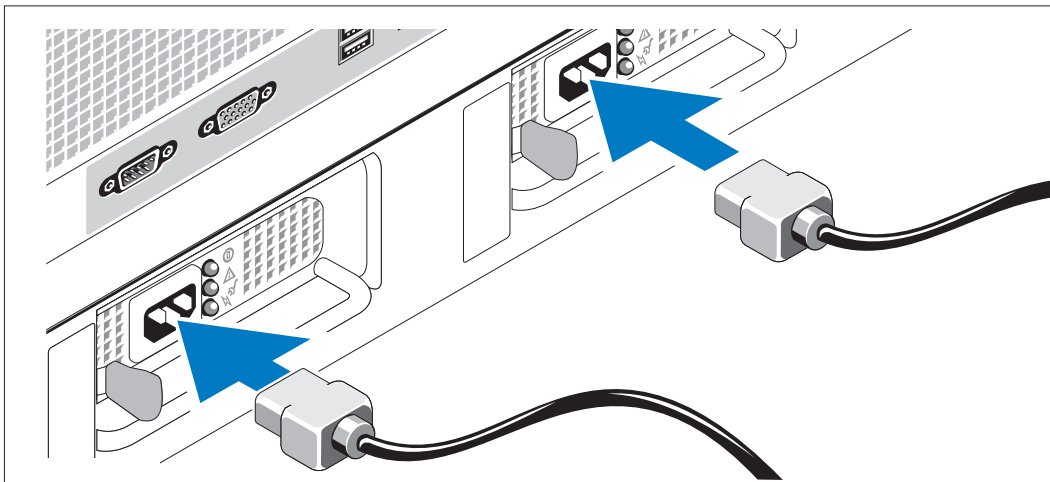
- 2** После прочтения “Инструкций по технике безопасности”, представленных в документации по установке системы в стойку, установите направляющие кронштейны и систему в стойку. Инструкции по установке системы в стойку можно найти в документации по установке в стойку. Описание установки стабилизирующих опор для систем с отдельным корпусом см. в документации, предоставляемой вместе с системой.

Подключение клавиатуры, мыши и монитора



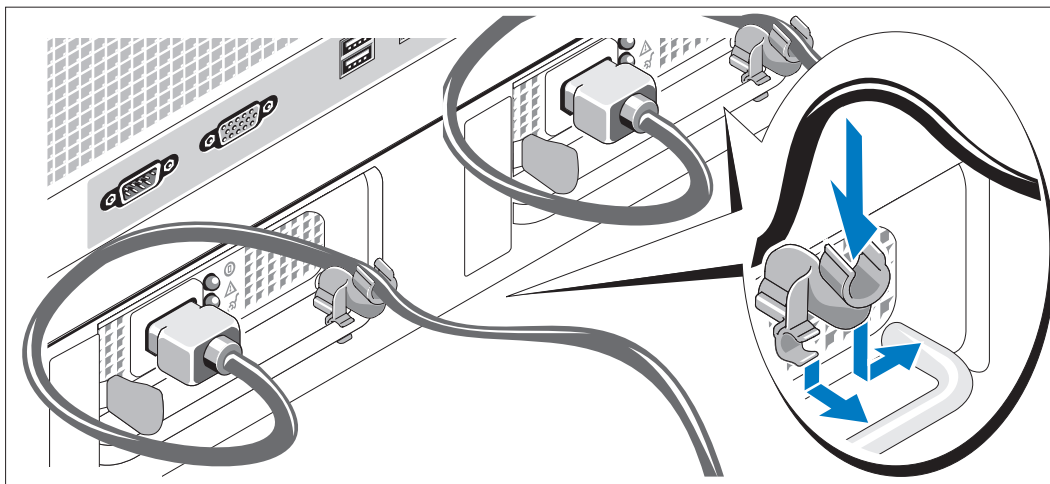
- 3** Подключите клавиатуру, мышь и монитор (дополнительно). Разъемы на задней панели системы снабжены значками, позволяющими определить правильное подключение кабелей. На кабельном соединителе монитора необходимо затянуть винты (если они есть).

Подключение питания



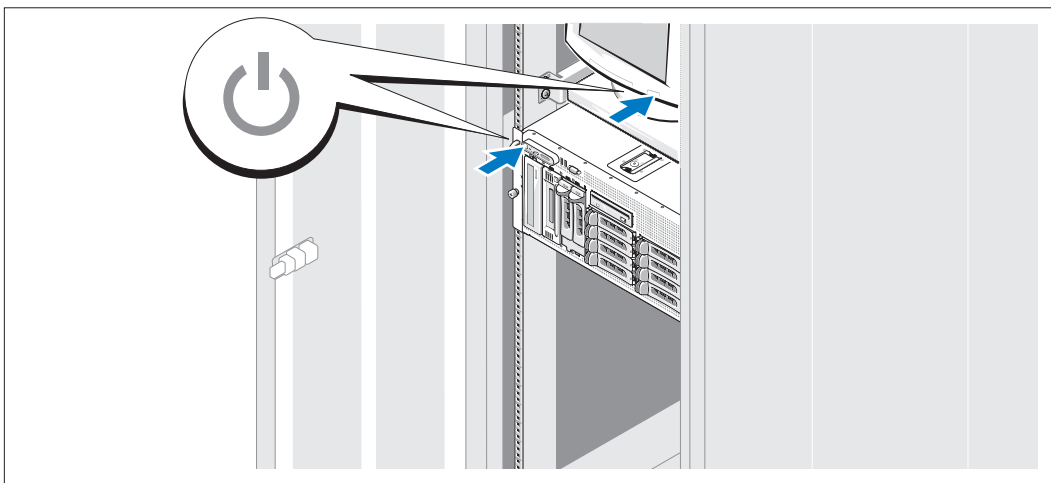
- 4 Подсоедините шнуры питания к системе.
- 5 Подключите другой конец шнура к заземленной розетке или отдельному источнику питания, например, к источнику бесперебойного питания или блоку распределения питания.

Установка кронштейна фиксации шнура питания



- 6 Прикрепите кронштейн фиксации на правом изгибе рукоятки разъема шнура питания. Согните системный шнур питания в петлю (см. рисунок) и прикрепите его к кабельному зажиму кронштейна. Повторите данную процедуру со вторым источником питания.

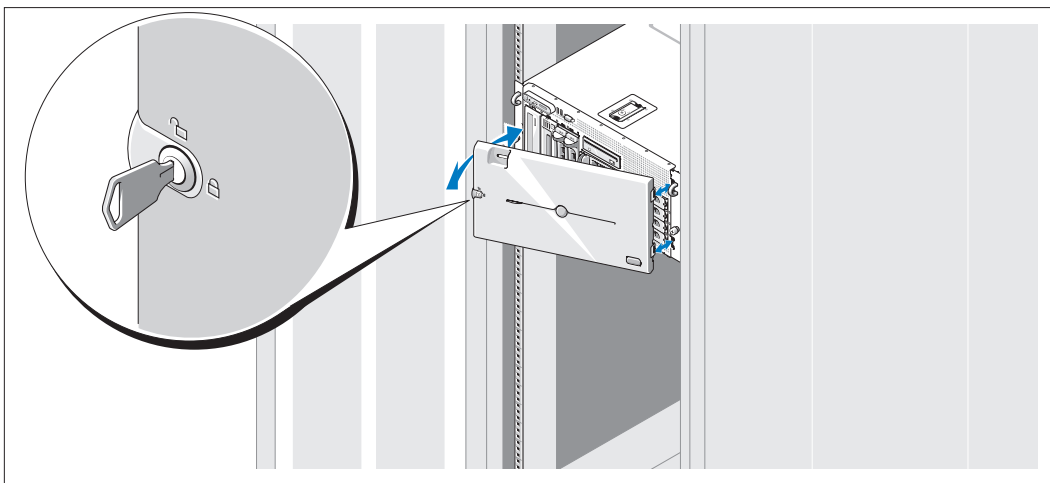
Включение системы



- 7** Включите систему и монитор (дополнительно).

Нажмите кнопку питания системы и монитора. Должны засветиться индикаторы питания. С помощью элементов управления монитора отрегулируйте качество изображения.

Установка лицевой панели



- 8** Установка лицевой панели (дополнительно).

Завершение установки операционной системы

Если компьютер приобретен с предустановленной операционной системой, см. соответствующую документацию, поставляемую вместе с компьютером. Описание первоначальной установки операционной системы см. в *Кратком руководстве по установке*. Операционная система должна быть установлена до установки аппаратного или программного обеспечения, которое не было приобретено вместе с системой.

Технические характеристики

| Процессор | |
|----------------------------|---|
| Тип процессора | Один или два двоядерных процессора Intel Xeon серии 5000 |
| Шина расширения | |
| Тип шины | PCI, PCI-X, PCIe |
| Разъемы расширения | |
| PCI-X | Два 64-битных разъема с полным форм-фактором, питанием 3,3 В и тактовой частотой 133-МГц (разъемы с номерами 1 и 2) |
| PCIe | один 8-канальный разъем (№ 3) с питанием 3,3 В три 4-канальных разъема (№№ 4-6) с питанием 3,3 В |
| Оперативная память | |
| Архитектура | Модули DIMM с полной буферизацией, частота 533 или 667 МГц (если доступно) |
| Разъемы для модулей памяти | двенадцать 240-контактных разъемов |
| Емкость модулей памяти | 256 Мб, 512 Мб, 1 Гб, 2 Гб или 4 Гб |
| Минимальный объем ОЗУ | 512 Мб (два модуля по 256 Мб) |
| Максимальный объем ОЗУ | 48 Гб |

Накопители

| | |
|---------------------------------|---|
| Жесткие диски | До десяти 3,5-дюймовых внутренних дисков SAS или SATA с возможностью “горячей” замены <ul style="list-style-type: none">• восемь дисков во внутреннем отсеке для дисков• два диска в дополнительной объединительной плате 1x2 FlexBay |
| Дисковод гибких дисков | Один дополнительный 3,5-дюймовый дисковод емкостью 1,44 Мб Внешний дополнительный 3,5-дюймовый USB-дисковод емкостью 1,44 Мб |
| Накопитель на оптических дисках | Один дополнительный дисковод компакт- или DVD-дисков или комбинированное устройство CD-RW/DVD ПРИМЕЧАНИЕ: Устройства DVD предназначены только для данных. Внешний дополнительный USB-дисковод компакт-дисков Внешний дополнительный USB-дисковод DVD-дисков |
| Флэш-память | Внешнее дополнительное устройство с USB-интерфейсом |

Разъемы

Задняя панель

| | |
|----------------------------|--|
| Сетевая интерфейсная плата | Два разъема RJ-45 (для встроенных сетевых интерфейсных карт, 1 гигабит) с поддержкой TOE |
| Последовательный порт | 9-контактный DTE-разъем, совместимый с 16550 |
| USB | Четыре 4-контактных разъема, совместимых с USB 2.0 |
| Видео | 15-контактный VGA |

Передняя панель

| | |
|-------|---|
| Видео | 15-контактный VGA-разъем |
| USB | Два 4-контактных разъема, совместимых с USB 2.0 |

Видео

| | |
|-------------------|---|
| Тип видеоадаптера | Видеоконтроллер ATI ES1000; VGA-разъемы |
| Видеопамять | DDR SDRAM на 16 Мб |

Электропитание

Источник питания переменного тока (для каждого блока питания)

| | |
|--------------------------|--|
| Мощность в ваттах | 930 Вт |
| Напряжение | 90–264 В переменного тока, функция автоматического переключения диапазонов измерений, 47–63 Гц |
| Теплоотдача | Максимум 2697 BTU/ч |
| Максимальный бросок тока | В условиях стандартного электропитания и нормальных условий окружающей среды системы бросок тока может достигать не более 55 А на блок питания в течение не более 10 мс. |

Аккумуляторы

| | |
|------------------------------|--------------------------------------|
| Системный аккумулятор | Круглый ионно-литиевый CR 2032 3,0 В |
| Батарея RAID (дополнительно) | Ионно-литиевый, 4,1 В |

Габаритные размеры

Стойка

| | |
|--------------------------|--|
| Высота | 21,77 см (8,57 дюйма) |
| Ширина | 44,27 см (17,43 дюйма), только корпус 48,27 см (19 дюймов) с фланцами стойки |
| Ширина | 66,13 см (26,04 дюйма), не включая панель управления или лицевую панель; панель управления добавляет еще 1,3 см (0,51 дюйма) |
| Вес (макс. конфигурация) | 45,36 кг (100 фунтов) |

Корпус в виде вертикального блока (без лицевой панели)

| | |
|--------------------------|--|
| Высота | 47,89 см (18,85 дюйма), с опорами, без роликов |
| Ширина | 22,66 см (8,92 дюйма) |
| Ширина | 66,13 см (26,04 дюйма), не включая панель управления или лицевую панель; панель управления добавляет еще 1,3 см (0,51 дюйма) |
| Вес (макс. конфигурация) | 49,9 см (110 дюймов) |

Условия эксплуатации

ПРИМЕЧАНИЕ: Дополнительную информацию о параметрах окружающей среды для установки определенной конфигурации системы см. на веб-узле www.dell.com/environmental_datasheets.

Температура

| | |
|----------------|------------------------------------|
| Рабочий режим | от 10° до 35°C (от 50° до 95°F) |
| Режим хранения | от -40° до 65°C (от -40° до 149°F) |

Относительная влажность

| | |
|----------------|--|
| Рабочий режим | От 20% до 80% (без конденсации) с максимальным изменением влажности 10% в час. |
| Режим хранения | 5–95 % (без конденсации) |

Максимальная вибрация

| | |
|----------------|---|
| Рабочий режим | 0,26 G при частоте 5–350 Гц в течение 2 минут в направлении оси Z |
| Режим хранения | 1,54 G при частоте от 10-250 Гц в течение 15 минут во всех направлениях |

Максимальная ударная нагрузка

| | |
|----------------|---|
| Рабочий режим | Один ударный импульс 41 G длительностью не более 2 мс в положительном направлении по оси z (по одному импульсу с каждой стороны системы) |
| Режим хранения | Шесть последовательных ударных импульсов 71 G длительностью не более 2 мс в положительном и отрицательном направлениях по осям x, y и z (по одному импульсу с каждой стороны системы) |

Высота над уровнем моря

| | |
|----------------|---|
| Рабочий режим | от -16 до 3048 м (от -50 до 10 000 футов) |
| Режим хранения | От -16 до 10 600 м (от -50 до 35 000 футов) |

Sistemas Dell™ PowerEdge™ 2900

Procedimientos iniciales con el sistema

Notas, avisos y precauciones



NOTA: una NOTA proporciona información importante que le ayudará a utilizar mejor el ordenador.



AVISO: un AVISO indica la posibilidad de daños en el hardware o la pérdida de datos, e informa de cómo evitar el problema.



PRECAUCIÓN: un mensaje de PRECAUCIÓN indica el riesgo de daños materiales, lesiones o incluso la muerte.

La información contenida en este documento puede modificarse sin previo aviso.

© 2005 Dell Inc. Reservados todos los derechos.

Queda estrictamente prohibida la reproducción de este documento en cualquier forma sin la autorización por escrito de Dell Inc.

Marcas comerciales utilizadas en este texto: *Dell* y el logotipo de *DELL* son marcas comerciales de Dell Inc.; *Intel* y *Xeon* son marcas comerciales registradas de Intel Corporation; *Microsoft* y *Windows* son marcas comerciales registradas y *Windows Server* es una marca comercial de Microsoft Corporation; *Novell* y *NetWare* son marcas comerciales registradas de Novell, Inc.; *Red Hat* es una marca comercial registrada de Red Hat, Inc.; *SUSE* es una marca comercial registrada de SUSE LINUX Products GmbH.

Otras marcas y otros nombres comerciales pueden utilizarse en este documento para hacer referencia a las entidades que los poseen o a sus productos. Dell Inc. renuncia a cualquier interés sobre la propiedad de marcas y nombres comerciales que no sean los suyos.

Modelo ECM01

Noviembre de 2005

P/N FD152

Rev. A00

Características del sistema

Éstas son las características principales de hardware y software del sistema:

- Uno o dos procesadores Intel® Xeon® de doble núcleo 5000 Sequence.
- Compatibilidad con SMP (multiprocesamiento simétrico), disponible en sistemas con dos procesadores Intel Xeon. SMP mejora en gran medida el rendimiento global del sistema al repartir las operaciones del procesador entre procesadores independientes. Para aprovechar esta característica, debe utilizar un sistema operativo que admita el multiprocesamiento.



NOTA: si decide actualizar el sistema instalando un segundo procesador, debe solicitar a Dell los kits de actualización del procesador. No todas las versiones del procesador Intel Xeon funcionarán correctamente como procesadores adicionales. El kit de actualización de Dell contiene la versión correcta del procesador, del dissipador de calor y de los ventiladores, así como las instrucciones para llevar a cabo la actualización.

- Un mínimo de 512 MB en DIMM con búfer completo (FBD) a 533 o 667 MHz (si está disponible), actualizables a un máximo de 48 GB mediante la instalación de combinaciones de módulos de memoria de 256 MB, 512 MB, 1 GB, 2 GB o 4 GB en los doce zócalos de módulo de memoria de la placa base.

El sistema también dispone de memoria redundante, que puede utilizarse como sustitución de memoria o duplicación de memoria. Ambas características están disponibles si se instalan ocho o doce módulos de memoria idénticos.

- Soporte para hasta diez unidades de disco duro internas de 3,5 pulgadas y acoplamiento activo, de tipo SAS (SCSI conectado en serie) o SATA (ocho unidades de disco duro internas de 3,5 pulgadas con tarjeta de plano posterior de acoplamiento activo y soporte para dos unidades adicionales de 3,5 pulgadas y acoplamiento activo en el compartimiento para periféricos mediante la tarjeta de plano posterior 1x2 Flexbay opcional).
- El compartimiento para periféricos permite alojar una unidad óptica opcional y una unidad de copia de seguridad en cinta (TBU) de media altura opcional. Se admite una TBU de altura completa cuando el soporte 1x2 Flexbay no está insertado.
- Una unidad de disquete opcional de 3,5 pulgadas y 1,44 MB.
- Una unidad opcional de CD, de DVD o combinada de CD-RW/DVD.



NOTA: los dispositivos de DVD son sólo de datos.

- Un interruptor de intrusión que indica el software de administración de sistemas adecuado si se abre la cubierta superior.
- Hasta dos fuentes de alimentación de 930 W de acoplamiento activo en una configuración redundante 1 + 1.
- Seis ventiladores de acoplamiento activo para la refrigeración del sistema.

La placa base incluye lo siguiente:

- Seis ranuras PCI ubicadas en una canastilla para tarjetas de expansión. Las ranuras 1 y 2 son PCI-X de 3,3 V y 64 bits a 133 MHz; la ranura 3 es PCIe x8 de 3,3 V, y las ranuras de la 4 a la 6 son PCIe x4 de 3,3 V. Las ranuras para tarjetas de expansión pueden alojar tarjetas de expansión de longitud y altura completas. Las ranuras PCIe admiten tarjetas de expansión hasta x8.
- Una ranura PCI dedicada para un adaptador de bus de host SAS integrado o una tarjeta controladora RAID integrada opcional con 256 MB de memoria caché y una batería RAID.



NOTA: no es posible iniciar el sistema desde un dispositivo externo conectado a un adaptador SAS o SCSI, incluidos SAS 5/E, PERC 5/E o PERC 4e/DC. Para obtener información sobre cómo iniciar el sistema desde dispositivos externos, visite support.dell.com.


- Dos NIC Ethernet Gigabit integradas que admiten velocidades de datos de 10 Mbps, 100 Mbps y 1 000 Mbps.
- Seis conectores compatibles con USB 2.0 (dos en la parte frontal y cuatro en la parte posterior) que admiten una unidad de disquete, una unidad de CD-ROM o DVD-ROM, un teclado, un ratón o una unidad flash USB.
- Controladora de acceso remoto (RAC) opcional para la administración remota de sistemas.
- Un subsistema de vídeo integrado compatible con VGA con una controladora de vídeo PCI ATI ES1000 a 33 MHz. Este subsistema de vídeo contiene 16 MB de memoria de vídeo SDRAM DDR (no ampliable). La resolución máxima es de 1 600 x 1 200 con 64 000 colores; se admiten gráficos de color verdadero en las resoluciones siguientes: 640 x 480, 800 x 600, 1 024 x 768, 1 152 x 864 y 1 280 x 1 024. Cuando el RAC opcional está instalado, la resolución de vídeo es de 1 024 x 768.
- Circuitos de administración de sistemas que supervisan el funcionamiento de los ventiladores del sistema, así como los voltajes y temperaturas críticos del sistema. Los circuitos de administración de sistemas funcionan junto con el software de administración de sistemas.
- Controladora de administración de la placa base estándar con acceso serie.
- El panel posterior incluye un conector serie, uno de vídeo, cuatro USB y dos de NIC.
- En el panel frontal se incluye un conector de vídeo y dos USB.
- LCD de panel frontal 1x5 para la ID y los mensajes de error del sistema.
- Botón de ID del sistema en los paneles frontal y posterior.

Para obtener más información acerca de características específicas, consulte “Especificaciones técnicas” en la página 100.

Sistemas operativos admitidos

- Microsoft® Windows Server™ 2003 Standard Edition y Enterprise Edition
- Microsoft Windows Small Business Server 2003, Standard Edition y Premium Edition
- Microsoft Windows Server 2003 Standard Edition y Enterprise x64 Edition
- Red Hat® Enterprise Linux AS y ES (versiones 3 y 4) para Intel x86
- Red Hat Enterprise Linux AS y ES (versión 4) para Intel Extended Memory 64 Technology (Intel EM64T)
- SUSE® Linux Enterprise Server 9 para Intel EM64T
- Novell® NetWare® 6.5 (cuando esté disponible; no disponible instalado en fábrica)

Otra información necesaria

 **PRECAUCIÓN:** en la *Guía de información del producto* se proporciona información importante sobre seguridad y normativas. La información de la garantía puede estar incluida en este documento o constar en un documento aparte.


- En los documentos *Instrucciones de instalación del rack* o *Guía de instalación del rack* incluidos con el rack se describe cómo instalar el sistema en un rack.
- En el *Manual del propietario del hardware* se proporciona información sobre las características del sistema y se describe cómo solucionar problemas del sistema e instalar o reemplazar componentes del sistema. El *Manual del propietario del hardware* está disponible en los CD incluidos con el sistema o en support.dell.com.
- Los CD que se facilitan con el sistema proporcionan documentación y herramientas para configurar y administrar el sistema.
- Es posible que se incluyan notas de la versión o archivos Léame para proporcionar actualizaciones de última hora relativas al sistema o a la documentación, o material de consulta técnica avanzada destinado a técnicos o usuarios experimentados.

Obtención de asistencia técnica


Si no comprende un procedimiento de esta guía o si el sistema no funciona del modo esperado, consulte el *Manual del propietario del hardware*.


Tiene a su disposición el servicio de formación y certificación Dell para empresas. Para obtener más información, visite www.dell.com/training. Es posible que este servicio no se ofrezca en todas las regiones.

Instalación y configuración

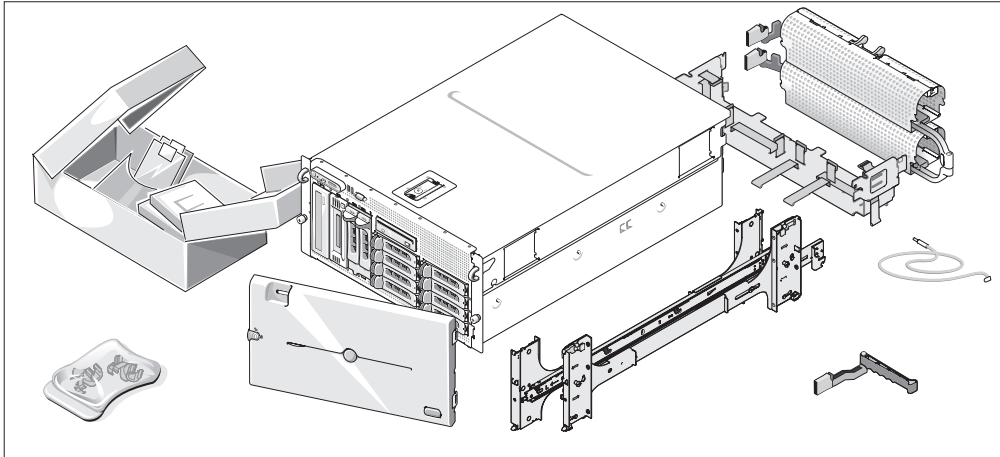
 **PRECAUCIÓN:** antes de realizar el procedimiento siguiente, lea y siga las instrucciones de seguridad y la información importante sobre normativas incluidas en la *Guía de información del producto*.

En esta sección se describen los pasos para configurar el sistema por primera vez. Las ilustraciones que se ven a continuación muestran un sistema de montaje en rack, pero el procedimiento de instalación se aplica en su mayoría a un sistema de torre independiente. Cuando se disponga a instalar el rack en el paso 2, consulte la documentación incluida con el sistema acerca de la instalación de los pies estabilizadores en el sistema.

 **PRECAUCIÓN:** es necesario instalar los pies estabilizadores en un sistema de torre independiente para proporcionar una base estable para el sistema. Si no se instalan los pies, el sistema puede volcarse, y ello puede producir lesiones personales o daños en el sistema.

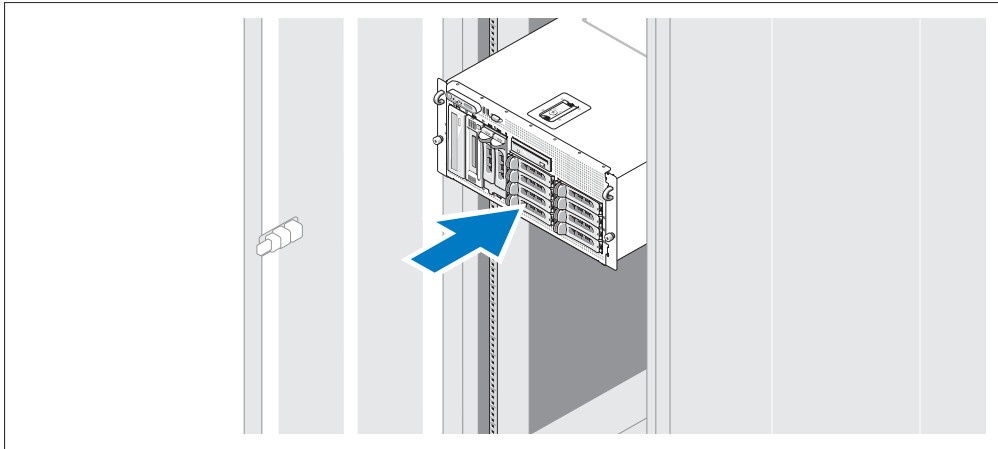
 **PRECAUCIÓN:** siempre que necesite elevar el sistema, pida la ayuda de otros. Con el fin de evitar lesiones personales, no intente mover el sistema usted solo.

Desembalaje del sistema



- 1 Desembale el sistema e identifique cada elemento.
Guarde el material de embalaje por si lo necesitara más adelante.

Instalación de los rieles y del sistema en un rack

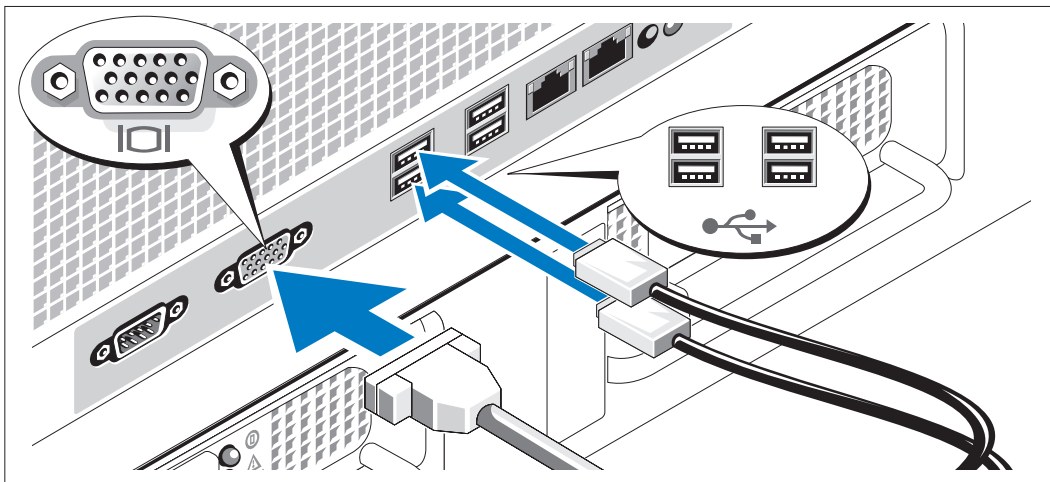


- 2 Una vez que haya leído las “Instrucciones de seguridad” de la documentación del sistema relativa a la instalación del rack , instale los rieles y el sistema en el rack.

Consulte la documentación de instalación del rack para obtener instrucciones sobre la instalación del sistema en un rack.

Para un sistema de torre, consulte la documentación incluida con el sistema para la instalación de los pies estabilizadores.

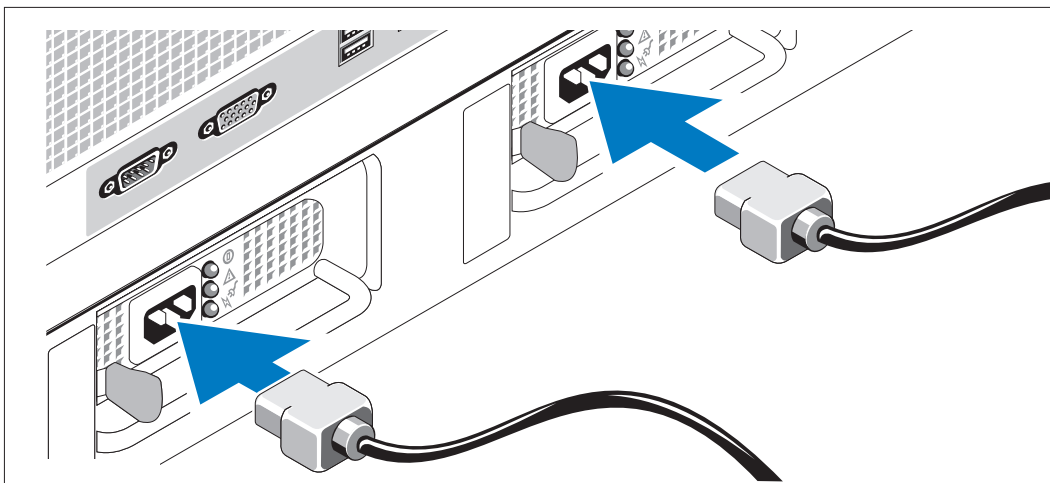
Conexión del teclado, el ratón y el monitor



- 3 Conecte el teclado, el ratón y el monitor (opcional).

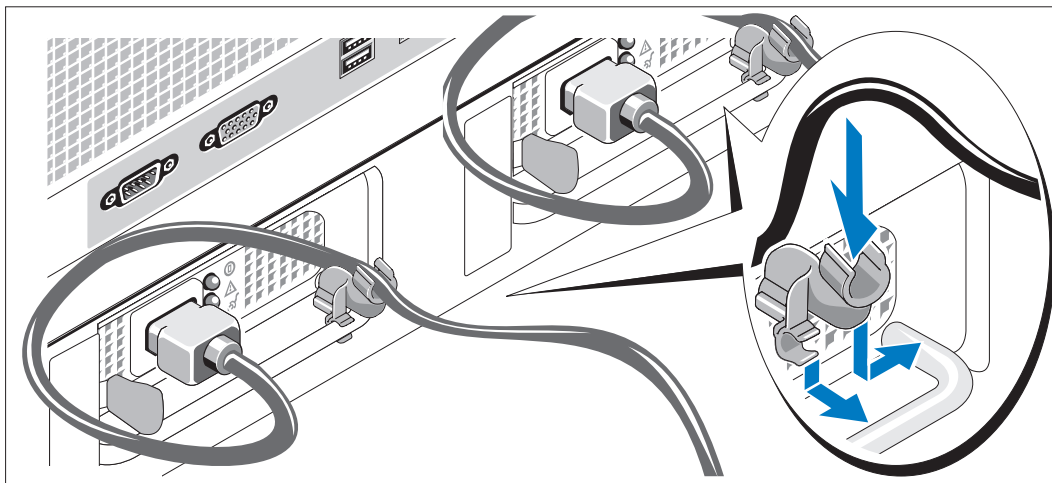
Los conectores de la parte posterior del sistema tienen iconos que indican qué cable enchufar a cada conector. Asegúrese de apretar los tornillos (si los hubiera) del conector del cable del monitor.

Conexión de la alimentación



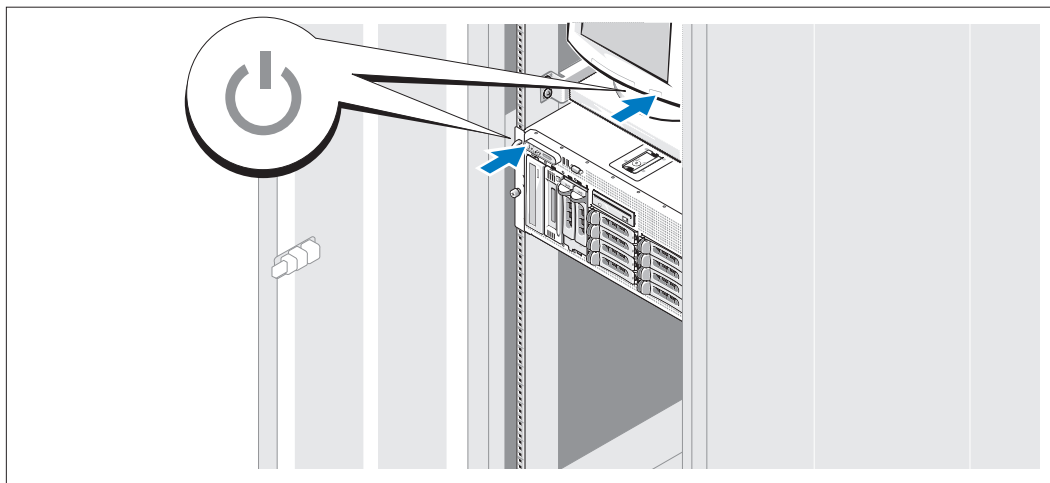
- 4 Conecte los cables de alimentación al sistema.
- 5 Conecte el extremo opuesto del cable a una toma eléctrica con conexión a tierra o a otra fuente de alimentación, como un sistema de alimentación ininterrumpida (SAI) o una unidad de distribución de alimentación (PDU).

Instalación del soporte de retención del cable de alimentación



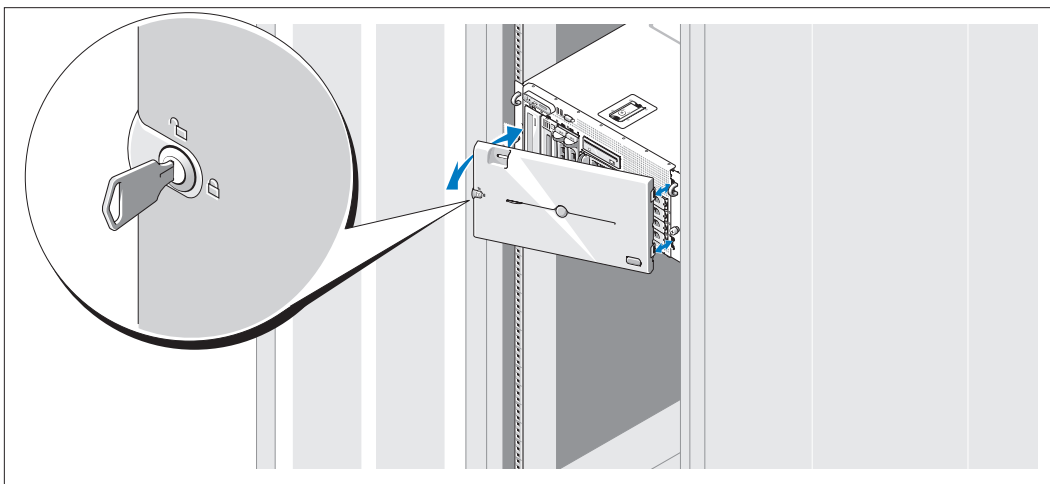
- 6 Fije el soporte de retención del cable de alimentación en el codo derecho del asa de la fuente de alimentación. Doble el cable de alimentación del sistema en forma de bucle, tal como se muestra en la ilustración, y fíjelo a la abrazadera correspondiente del soporte. Repita el procedimiento para la segunda fuente de alimentación.

Encendido del sistema



- 7 Encienda el sistema y el monitor (opcional).
Presione el botón de encendido del sistema y del monitor. Deberán encenderse los indicadores de alimentación. Ajuste los controles del monitor hasta que la imagen mostrada sea satisfactoria.

Instalación del embellecedor



- 8 Instale el embellecedor (opcional).

Configuración del sistema operativo

Si ha adquirido un sistema operativo preinstalado, consulte la documentación del sistema operativo que se suministra con el sistema. Para instalar un sistema operativo por primera vez, consulte la *Guía de instalación rápida*. Asegúrese de que el sistema operativo está instalado antes de instalar hardware o software no adquirido con el sistema.

Especificaciones técnicas

Procesador

| | |
|--------------------|---|
| Tipo de procesador | Uno o dos procesadores Intel Xeon de doble núcleo 5000 Sequence |
|--------------------|---|

Bus de expansión

| | |
|-------------|------------------|
| Tipo de bus | PCI, PCI-X, PCIe |
|-------------|------------------|

Ranuras de expansión

| | |
|-------|---|
| PCI-X | Dos ranuras para tarjetas de altura y longitud completas de 3,3 V y 64 bits a 133 MHz (ranuras 1 y 2) |
| PCIe | Una ranura x8 de 3,3 V (ranura 3) Tres ranuras x4 de 3,3 V (ranuras de la 4 a la 6) |

Memoria

| | |
|----------------------------------|--|
| Arquitectura | Módulos DIMM con búfer completo (FBD) a 533 o 667 MHz (cuando estén disponibles) |
| Zócalos de módulo de memoria | Doce de 240 patas |
| Capacidades de módulo de memoria | 256 MB, 512 MB, 1 GB, 2 GB o 4 GB |
| RAM mínima | 512 MB (dos módulos de 256 MB) |
| RAM máxima | 48 GB |

Unidades

| | |
|------------------------|---|
| Unidades de disco duro | Un máximo de diez unidades internas SAS o SATA de 3,5 pulgadas y acoplamiento activo <ul style="list-style-type: none">• Ocho unidades en el compartimiento interno para unidades• Dos unidades en la tarjeta de expansión de plano posterior 1x2 Flexbay opcional |
| Unidad de disquete | Una unidad opcional de 3,5 pulgadas y 1,44 MB Unidad USB externa opcional de 3,5 pulgadas y 1,44 MB |
| Unidad óptica | Una unidad IDE opcional de CD, de DVD o combinada de CD-RW/DVD NOTA: los dispositivos de DVD son sólo de datos. Unidad de CD-ROM USB externa opcional Unidad de DVD-ROM USB externa opcional |
| Unidad flash | Unidad USB externa opcional |

Conectores

Parte posterior

| | |
|-------|--|
| NIC | Dos RJ-45 compatibles con TOE (para NIC de 1 GB integradas) |
| Serie | 9 patas, DTE, compatible con el estándar 16550 |
| USB | Cuatro de 4 patas compatibles con USB 2.0 |
| Vídeo | VGA de 15 patas |

Parte frontal

| | |
|-------|--|
| Vídeo | VGA de 15 patas |
| USB | Dos de 4 patas compatibles con USB 2.0 |

Vídeo

| | |
|------------------|--|
| Tipo de vídeo | Controladora de vídeo ATI ES1000; conectores VGA |
| Memoria de vídeo | 16 MB de SDRAM DDR |

Alimentación

Suministro de energía de CA (por fuente de alimentación)

| | |
|--------------------------------|---|
| Potencia | 930 W |
| Voltaje | 90–264 V CA, autoajutable, 47–63 Hz |
| Disipación de calor | 2 697 BTU/h (789,7 W) como máximo |
| Máxima corriente a la conexión | En condiciones normales de línea y en todo el ambiente del rango operativo del sistema, la corriente a la conexión puede alcanzar los 55 A por cada fuente de alimentación durante 10 ms o menos. |

Baterías

| | |
|-------------------------|--|
| Batería del sistema | Batería de tipo botón de ion-litio de 3,0 V CR2032 |
| Batería RAID (opcional) | Ion-litio de 4,1 V |

Características físicas

Rack

| | |
|---------|--|
| Altura | 21,77 cm |
| Anchura | 44,27 cm (sólo chasis) 48,27 cm (con las superficies de montaje del rack) |

Características físicas (continuación)

| | |
|---------------------------------|---|
| Profundidad | 66,13 cm (no incluye el panel de control ni el embellecedor; el panel de control supone 1,3 cm adicionales) |
| Peso (configuración máxima) | 45,36 kg |
| Torre (sin embellecedor) | |
| Altura | 47,89 cm (con pies y sin ruedas) |
| Anchura | 22,66 cm |
| Profundidad | 66,13 cm (no incluye el panel de control ni el embellecedor; el panel de control supone 1,3 cm adicionales) |
| Peso (configuración máxima) | 49,9 kg |

Condiciones ambientales

NOTA: para obtener información adicional sobre medidas ambientales relativas a configuraciones de sistema específicas, visite la página Web www.dell.com/environmental_datasheets.

Temperatura

| | |
|-------------------|-------------------|
| En funcionamiento | De 10 °C a 35 °C |
| En almacenamiento | De -40 °C a 65 °C |

Humedad relativa

| | |
|-------------------|---|
| En funcionamiento | Del 20 al 80 % (sin condensación) con una gradación de humedad máxima del 10 % por hora |
| En almacenamiento | Del 5 al 95 % (sin condensación) |

Vibración máxima

| | |
|-------------------|---|
| En funcionamiento | 0,26 G de 5 a 350 Hz durante 2 min en el eje Z |
| En almacenamiento | 1,54 G de 10 a 250 Hz durante 15 min en todas las orientaciones |

Impacto máximo

| | |
|-------------------|--|
| En funcionamiento | Un choque positivo en el eje z (un choque en cada lado del sistema) de 41 G durante un máximo de 2 ms |
| En almacenamiento | Seis choques ejecutados consecutivamente en el sentido positivo y negativo de los ejes x, y y z (un choque en cada lado del sistema) de 71 G durante un máximo de 2 ms |

Altitud

| | |
|-------------------|-------------------|
| En funcionamiento | De -16 a 3 048 m |
| En almacenamiento | De -16 a 10 600 m |

| | |
|--------------------|---|
| רוחב | 22.66 ס"מ |
| עומק | 66.13 ס"מ, לא כולל לוח בקרה או לוח כיסוי ; לוח בקרה מוסיף 1.3 ס"מ |
| משקל (תצורה מרבית) | 49.9 ק"ג |

תנאי סביבה

עצה: למידע נוסף על מידות סביבתיות עבור תצורות מערכת ספציפיות, בקר בכתובת www.dell.com/environmental_datasheets

טמפרטורה

| | |
|-------|--------------|
| הפעלה | 10° עד 35°C |
| אחסון | 40°- עד 65°C |

לחות יחסית

| | |
|-------|---|
| הפעלה | 20% עד 80% (ללא עיבוי) עם ירידה הדרגתית בלחות מרבית של 10% בשעה |
| אחסון | 5% עד 95% (ללא עיבוי) |

רטט מרבי

| | |
|-------|--|
| הפעלה | 0.26 G מ- 350Hz–5 עבור 2 דקי בציר Z |
| אחסון | 1.54 G מ- 250 Hz–10 עבור 15 דקי בכל הכיוונים |

זעזוע מרבי

| | |
|-------|---|
| הפעלה | פעימות זעזוע אחת בציר z החיובי (פעימה אחת בכל צד של המערכת) מתוך 41 G למשך עד 2 מ"ש |
| אחסון | שש פעימות זעזוע המופעלות בזו אחר זו בצירי x, y, z החיוביים והשליליים (פעימה אחת בכל צד של המערכת) מתוך 71 G למשך עד 2 מ"ש |

גובה

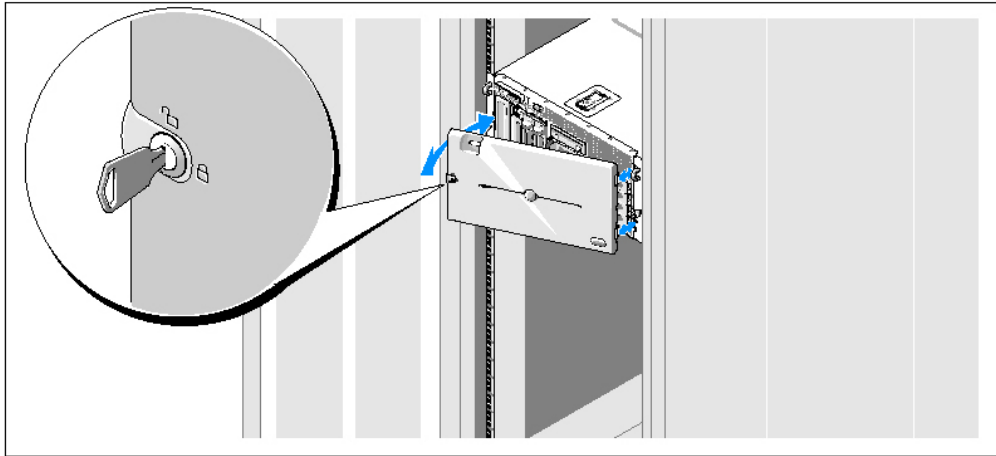
| | |
|-------|------------------|
| הפעלה | 16- עד 3,048 מ' |
| אחסון | 16- עד 10,600 מ' |

| מחברים | |
|--|------------------------|
| גב | |
| שני מחברי RJ-45 התומכים ב-TOE (עבור כרטיסי ממשק רשת משולבים של 1-GB) | כרטיס ממשק רשת (NIC) |
| 9 פינים, DTE, תואם 16550 | טורי |
| ארבעה מחברים בעלי 4 פינים, תואמי USB 2.0 | USB |
| VGA עם 15 פינים | וידאו |
| חזית | |
| VGA עם 15 פינים | וידאו |
| שניים בעלי 4 פינים, תואמי USB 2.0 | USB |
| וידאו | |
| בקר וידאו ATI ES1000 ; מחברי VGA | סוג וידאו |
| DDR SDRAM של 16 MB | זיכרון וידאו |
| מתח | |
| ספק כוח ז"ח (לכל ספק כוח) | |
| 930 W | הספק חשמלי בוואטים |
| 90-264 VAC, טווח אוטומטי, 47-63 Hz | מתח חשמלי |
| 2697 BTU/hr לכל היותר | פיזור חום |
| בתנאי קו רגילים ובטווח הפעלה בתנאי סביבה של המערכת כולה, ייתכן שהזרם הנכנס יגיע ל- 55 A לכל ספק כוח למשך 10 מ"ש או פחות. | זרם נכנס מקסימלי |
| סוללות | |
| סוללת מטבע ליתיום CR 2032 3.0-V | סוללת מערכת |
| ליתיום יון 4.1-V | סוללת RAID (אופציונלי) |
| מידות פיזיות | |
| מעמד | |
| 21.77 ס"מ | גובה |
| 44.27 ס"מ תושבת בלבד | רוחב |
| 48.27 ס"מ עם אוגן מעמד | |
| 66.13 ס"מ, לא כולל לוח בקרה או לוח כיסוי ; לוח בקרה מוסיף 1.3 ס"מ | עומק |
| 45.36 ק"ג | משקל (תצורה מרבית) |
| Tower | |
| 47.89 ס"מ עם רגליות, ללא גלגלים | גובה |

מפרטים טכניים

| מעבד | |
|---|------------------------|
| מעבד אחד או שני מעבדים מסוג Dual-Core Intel Xeon Processors 5000 Sequence | סוג מעבד |
| אפיק הרחבה | |
| PCI, PCI-X, PCIe | סוג אפיק |
| שני חריצים בגובה מלא ואורך מלא, 3.3-V, 64 סיביות, 133-MHz (חריצים 1 ו-2) | חריצי הרחבה |
| חריץ אחד בעל 8 מסלולים, 3.3-V (חריץ 3) | PCI-X |
| שלושה חריצים בעלי 4 מסלולים, 3.3-V (חריצים 4 עד 6) | PCIe |
| זיכרון | |
| ארכיטקטורה | ארכיטקטורה |
| Fully Buffered DIMMs (FBD), 533 MHz או 667 MHz (כאשר זמין) | שקעים של מודולי זיכרון |
| שמונה שקעים של 240 פינים | קיבולת מודולי זיכרון |
| 256 MB, 512 MB, 1 GB או 2 GB | זיכרון RAM מינימלי |
| 512 MB (שני מודולים של 256-MB) | זיכרון RAM מקסימלי |
| 48 GB | |
| דיסקים | |
| דיסקים קשיחים | דיסקים קשיחים |
| עד עשרה דיסקים פנימיים בגודל 3.5 אינץ' מסוג SAS או SATA, התומכים בחיבור חם | |
| <ul style="list-style-type: none"> שמונה כוננים בתא כוננים פנימי או שני כוננים בחריץ הרחבה אופציונלי של לוח אם מסוג 1x2 flexbay | כונן תקליטונים |
| כונן אחד אופציונלי בגודל 3.5 אינץ', בקיבולת 1.44-MB | |
| כונן USB חיצוני אופציונלי בגודל 3.5 אינץ', בקיבולת 1.44-MB | |
| כונן תקליטורים אחד, DVD או CD-RW/DVD משולב. | כונן אופטי |
| עצה: התקני DVD כוללים נתונים בלבד. | |
| כונן תקליטורים חיצוני אופציונלי מסוג USB | |
| כונן DVD-ROM חיצוני אופציונלי מסוג USB | |
| כונן USB חיצוני אופציונלי | כונן Flash |

התקנת לוח הכיסוי

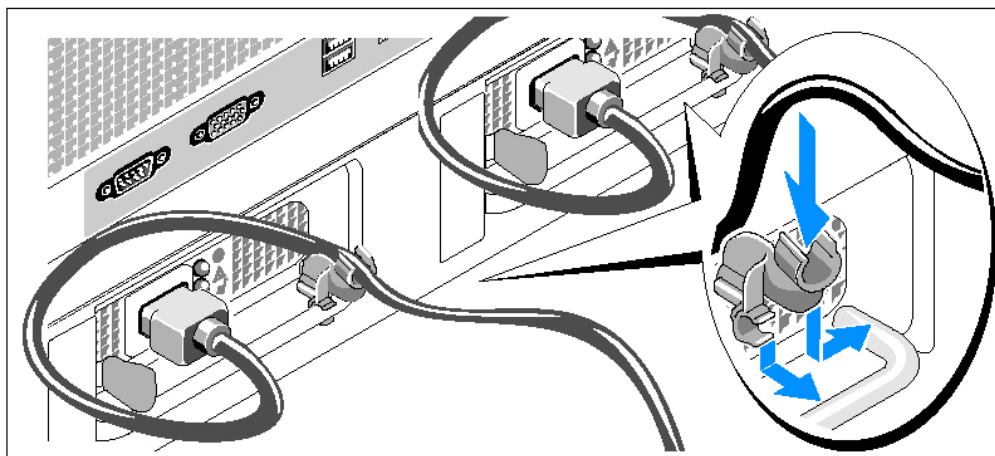


8 התקן את לוח הכיסוי (אופציונלי).

השלמת הגדרת מערכת הפעלה

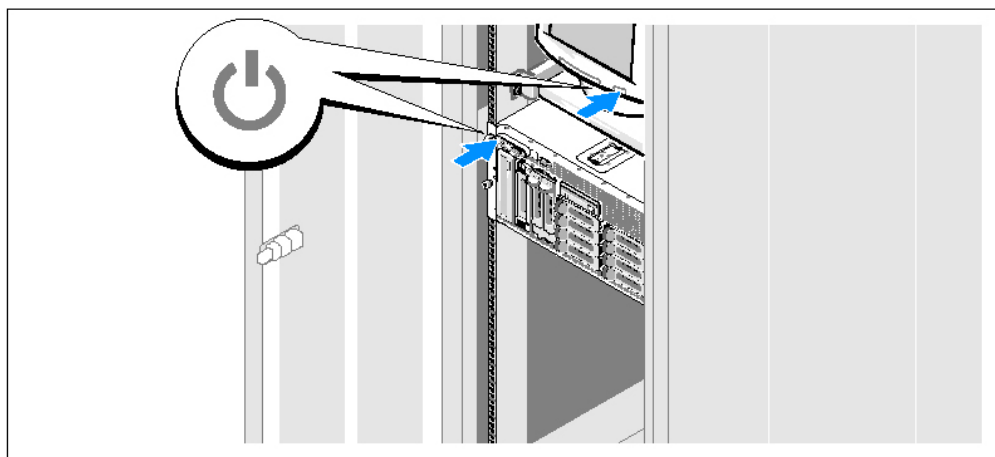
אם רכשת מערכת הפעלה מותקנת מראש, עיין בתיעוד המצורף למערכת. כדי להתקין מערכת הפעלה בפעם הראשונה, עיין במדריך ההתקנה המהירה. ודא שמערכת ההפעלה מותקנת לפני שתתקין רכיבי חומרה ותוכנות שלא נרכשו עם המחשב.

התקנת הזוויתן להגנה על כבל החשמל



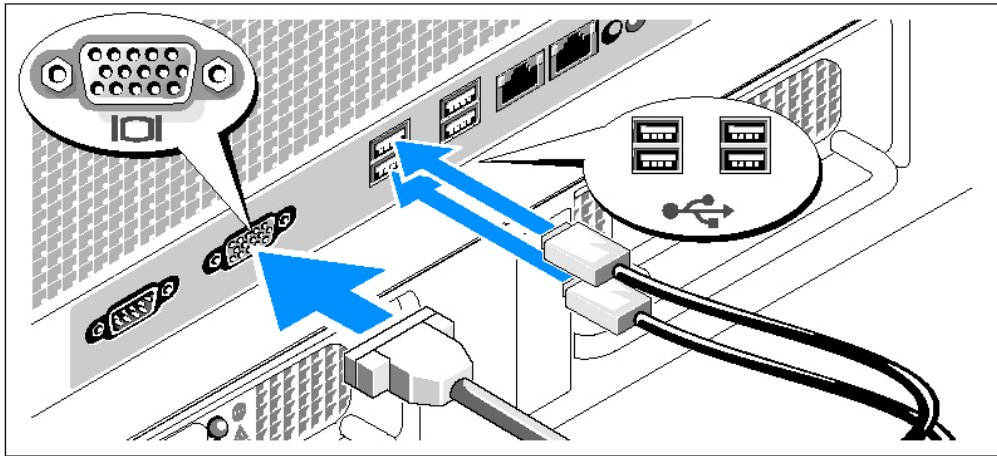
6 חבר את הזוויתן לשמירה על כבל החשמל בכיפוף הימני של ידית ספק הכוח. כופף את כבל החשמל של המערכת וצור ממנו לולאה כמוצג באיור. לאחר מכן חבר אותו לתפס הכבל בזוויתן. חזור על הליך זה עבור ספק הכוח השני.

הדלקת המערכת



7 הדלק את המערכת ואת הצג (אופציונלי). לחץ על מתג ההפעלה במערכת ובצג. נורות המתח אמורות לדלוק. כוונן את בקרי הצג, עד שהתמונה המוצגת תהיה לשביעות רצונך.

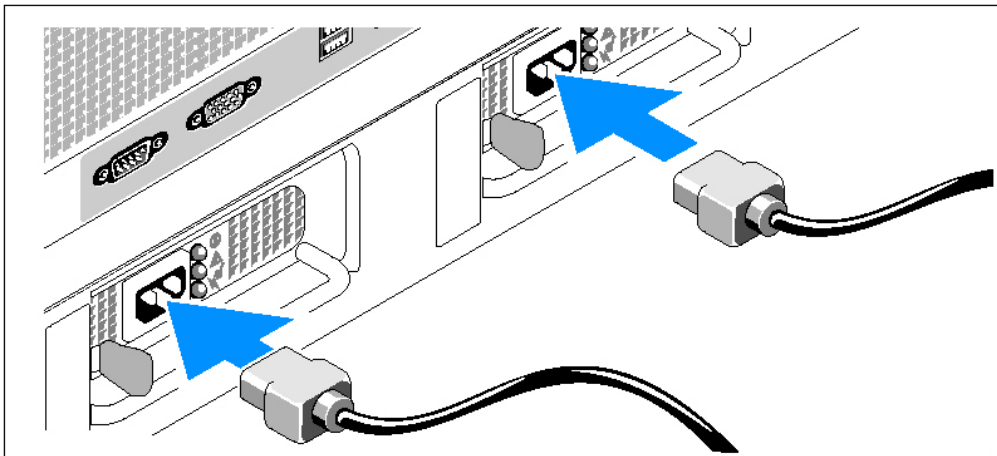
חיבור המקלדת, העכבר והצג (אופציונלי).



3 חבר את המקלדת, העכבר והצג (אופציונלי).

על המחברים בגב המערכת מופיעים סמלים שמציינים איזה כבל יש לחבר לכל מחבר. הקפד לחזק את הברגים (אם קיימים) במחבר הכבל של הצג.

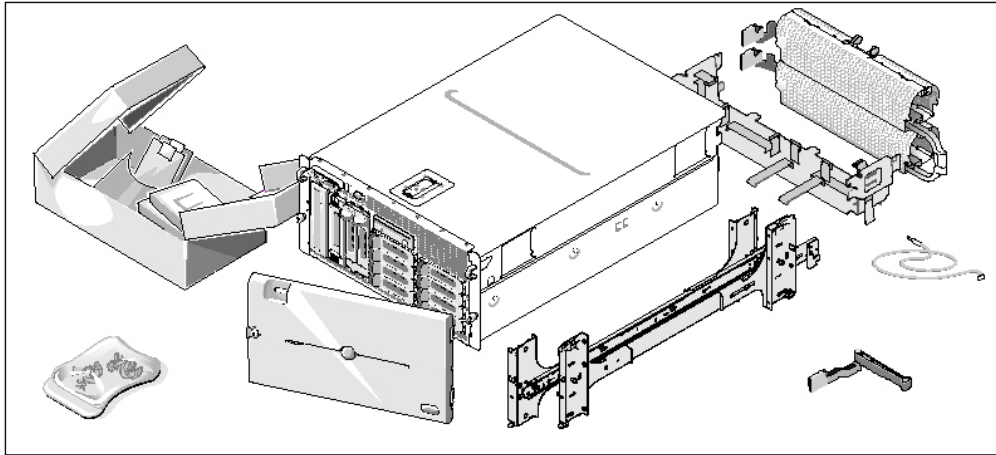
חיבור החשמל



4 חבר את כבלי החשמל של המערכת למערכת.

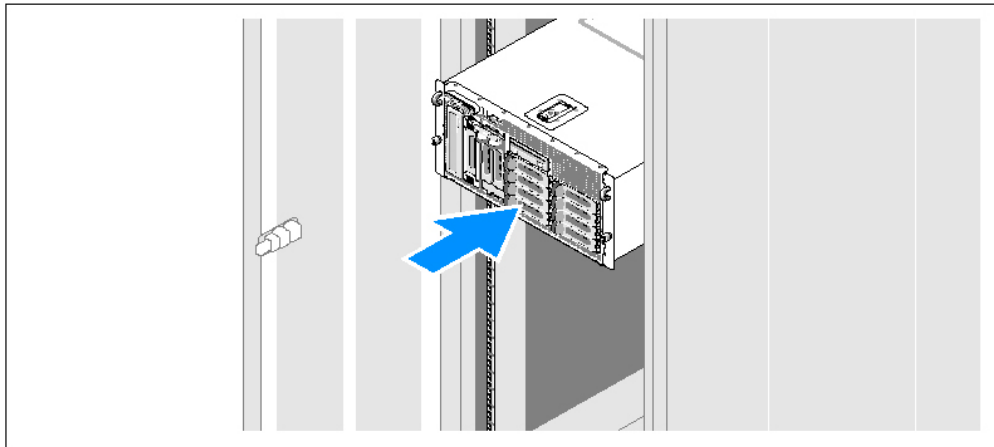
5 חבר את הקצה השני של הכבל לשקע חשמלי מוארק או למקור מתח אחר, כגון מערכת אל-פסק (UPS) או ליחידת חלוקת מתח (PDU).

הוצאת המערכת מהאריזה



- 1 הוצא את המערכת וזהה את כל הפריטים. שמור את כל חומרי האריזה למקרה שתזדקק להם מאוחר יותר.

התקנת המסילות והמערכת במעמד



- 2 לאחר שקראת את הוראות הבטיחות בתיעוד של התקנת המעמד המצורף למערכת, התקן את המסילות ואת המערכת במעמד. לקבלת הוראות להתקנת המערכת במעמד, עיין בתיעוד ההתקנה המצורף למעמד. עבור מערכת בתצורת tower, עיין בתיעוד המצורף למערכת לקבלת מידע על התקנת הרגליות המייצבות.

- Intel EM64T עבור SUSE® Linux Enterprise Server 9
- Novell® NetWare® 6.5 (כאשר זמין; לא מותקן על-ידי היצרן)

מידע נוסף שעשוי לסייע לך

- ⚠ **זהירות:** מדריך המידע על המוצר מספק מידע חשוב בנושא בטיחות ותקנות. ייתכן שמידע על האחריות כלול במסמך זה או במסמך נפרד.
- ההוראות להתקנת המעמד או המדריך להתקנת המעמד, הכלולים עם פתרון המעמד, מתארים כיצד להתקין את המערכת במעמד.
- מדריך הבעלים של החומרה מספק מידע על תכונות המערכת, ומתאר כיצד לפתור בעיות במערכת, ולהתקין או להחליף את רכיבי המערכת. מדריך הבעלים של החומרה זמין בתקליטורים המצורפים למערכת שברשותך, או באתר support.dell.com.
- תקליטורים הנלווים למערכת מספקים תיעוד וכלים לקביעת תצורה של המערכת וניהולה.
- ייתכן שכלולים גם קובצי readme או הערות מוצר, כדי לספק עדכונים של הרגע האחרון למערכת או לתיעוד, או כדי לספק חומר עזר מתקדם בנושאים טכניים, המיועד למשתמשים מנוסים או לטכנאים.


קבלת סיוע טכני

- אם אינך מבין את ההליך המתואר במדריך זה, או אם המערכת אינה פועלת כצפוי, עיין במדריך לבעלים של החומרה.
- שירות ההדרכה וההסמכה הארגוני של Dell זמין ועומד לרשותך; לקבלת מידע נוסף, בקר בכתובת www.dell.com/training. ייתכן ששירות זה אינו זמין בכל האזורים.

התקנה וקביעת תצורה

- ⚠ **זהירות:** לפני שתבצע את ההליך הבא, קרא את הוראות הבטיחות ואת מידע התקנות במדריך המידע על המוצר, ופעל על-פיהם.
- סעיף זה מתאר את השלבים להתקנת המערכת בפעם הראשונה. האיורים הבאים מציגים מערכת המותקנת על מעמד, אך הליך ההתקנה תקף בחלק גדול במערכת tower עצמאית. במקום התקנת המעמד המתוארת בשלב 2, עיין בתיעוד המצורף למערכת לקבלת מידע על התקנת רגליות מייצבות של המערכת.
- ⚠ **זהירות:** התקנת הרגליות במערכת tower עצמאית דרושה כדי לספק בסיס יציב למערכת. כשל בהתקנת הרגליות גורמת לסכנת התהפכות של המערכת, שעלולה לגרום לפציעה גופנית או לנזק למערכת.
- ⚠ **זהירות:** בכל פעם שעליך להרים את המערכת, בקש עזרה מאנשים אחרים. כדי למנוע אפשרות פציעה, אל תנסה להרים את המערכת בעצמך.

לוח המערכת כולל את התכונות הבאות:



- שישה חריצי PCI הממוקמים בתא של כרטיס ההרחבה. חריצים 1 ו-2 הם חריצים מסוג PCI-X 3.3-V, 64-bit; חריץ 3 הוא חריץ מסוג PCI-E 3.3-V, בעל 8 מסלולים; חריצים 4 עד 6 הם חריצים מסוג PCI-E 3.3-V, בעלי 4 מסלולים. חריצי כרטיס הרחבה מאכלסים כרטיסי הרחבה בעלי גובה ואורך מלאים. חריצי PCI-E מאכלסים עד 8 כרטיסי הרחבה.
 - חריץ PCI ייעודי לאפיק מארח משולב של SAS או כרטיס בקר RAID משולב אופציונלי עם זיכרון מטמון בנפח 256 MB וסוללת RAID.
-  **עצה:** אתחול המערכת אינו נתמך מהתקן חיצוני המחובר למתאם SAS או SCSI, כולל SAS 5/E, PERC 5/E או PERC 4e/DC. ראה support.dell.com לקבלת מידע תמיכה מעודכן על אתחול מהתקנים חיצוניים.
- שני כרטיסי ממשק רשת משולבים מסוג Gigabit Ethernet, התומכים בקצב נתונים של 10-Mbps, 100-Mbps ו-1000-Mbps.
 - שישה מחברים תואמי USB 2.0 (שניים בחזית וארבעה בחלק האחורי) התומכים בכונן תקליטונים, בכונן תקליטורים או בכונן DVD-ROM, במקלדת, בעכבר או בכונן USB Flash.
 - בקר גישה מרחוק אופציונלי (RAC) לניהול מערכות מרחוק.
 - מערכת משנה של מסך תואם VGA עם בקר וידאו ATI ES1000, PCI 33-MHz. מערכת המשנה של הווידאו מכילה 16 MB של זיכרון וידאו DDR SDRAM (לא ניתן לשדרוג). הרזולוציה המרבית היא 1600 x 1200 עם 64 K צבעים, גרפיקה של צבע אמיתי נתמכת ברזולוציות הבאות: 640 x 480, 800 x 600, 1024 x 768, 1024 x 864 ו-1152 x 1024. כאשר RAC אופציונלי מותקן, רזולוציית הווידאו היא 1024 X 768.
 - מעגל חשמלי לניהול מערכת, המפקח על פעולת מאווררי המערכת וכן על נתונים קריטיים של המערכת, כגון וולטאז' וטמפרטורות. המעגל החשמלי לניהול מערכות פועל בשילוב עם התוכנה לניהול מערכות.
 - בקר ניהול לוח סטנדרטי עם גישה טורית.
 - מחברי לוח אחורי כוללים מחבר טורי, מחבר וידאו, ארבעה מחברי USB ושני מחברי כרטיס ממשק רשת (NIC).
 - מחברי הלוח הקדמי כוללים מחבר וידאו ושני מחברי USB.
 - צג 1x5 LCD בלוח הקדמי להצגת מזהה מערכת והודעות שגיאה.
 - לחצן מזהה מערכת ולוח קדמי ואחורי.
- לקבלת מידע נוסף על תכונות ספציפיות, ראה "מפרטים טכניים" בעמוד 112.

מערכות הפעלה נתמכות


- Microsoft® Windows Server™ 2003 מהדורות Standard ו-Enterprise
- Microsoft Windows Small Business Server 2003 מהדורות Standard ו-Premium
- Microsoft Windows Server 2003 מהדורות Standard ו-x64 Enterprise
- Red Hat® Enterprise Linux AS and ES (גרסאות 3 ו-4) עבור Intel x86
- Red Hat Enterprise Linux מדגם AS ו-ES (גרסה 4) עבור Intel Extended Memory 64 (Intel EM64T) Technology

תכונות המערכת


תכונות החומרה והתוכנה המרכזיות של המערכת כוללות:

- מעבד אחד או שני מעבדים מסוג Dual-Core Intel® Xeon® Processors 5000 Sequence.
- תמיכה בריבוי מעבדים סימטרי (SMP), הזמינה במערכות בעלות שני מעבדי Intel Xeon SMP. משפר באופן משמעותי את ביצועי המערכת הכוללים על-ידי חלוקת הפעולות של המעבד בין מעבדים בלתי תלויים. כדי לנצל תכונה זו, עליך להשתמש במערכת הפעלה שתומכת בריבוי מעבדים.
-  **עצה:** אם תחליט לבצע שדרוג של המערכת על-ידי התקנת מעבד שני, יהיה עליך להזמין את ערכות שדרוג המעבד מחברת Dell. לא כל הגרסאות של מעבד Intel Xeon יפעלו כראוי כמעבדים נוספים. ערכת השדרוג של Dell מכילה את הגרסה המתאימה של המעבד, קולט החום והמאוורר, וכן הוראות לביצוע השדרוג.
- מינימום של 512 MB מתוך 533 MHz או 667 MHz (כאשר זמין), רכיבי Fully Buffered DIMM (FBD), הניתנים לשדרוג לנפח מרבי של 48 GB על-ידי התקנת שילובים של מודולי זיכרון בנפח 256-MB, 512-MB, 1-GB, 2-GB או 4-GB בשניים עשר השקעים של מודולי הזיכרון בלוח המערכת.
- המערכת כוללת גם זיכרון יתיר, שמספק תוספת זיכרון או שיקוף זיכרון. כל אחת משתי תכונות אלה זמינה אם מותקנים שמונה או שניים עשר מודולי זיכרון זהים.
- תמיכה בעשרה דיסקים קשיחים לכל היותר, בגודל 3.5 אינץ' מסוג Serial-Attached SCSI (SAS) או SATA, התומכים בחיבור חם פנימי (שמונה דיסקים קשיחים פנימיים בגודל 3.5 אינץ' עם לוח אם התומך בחיבור חם, ותמיכה בשני כוננים נוספים לכל היותר, בגודל 3.5 אינץ' התומכים בחיבור חם בתא ההיקפי, באמצעות לוח אם אופציונלי מסוג 1x2 flexbay).
- תא היקפי מספק תמיכה בכונן אופטי אופציונלי וביחידת גיבוי קלטות (TBU) אופציונלית בחצי גובה. יחידת גיבוי קלטות בגובה מלא נתמכת כאשר זוויתן 1x2 flexbay מוסר.
- כונן תקליטונים יחיד אופציונלי, בגודל 3.5 אינץ', בנפח 1.44-MB.
- כונן תקליטורים, DVD או CD-RW/DVD משולב אופציונלי.
-  **עצה:** התקני DVD כוללים נתונים בלבד.
- מתג פתיחת המארז שמאותת לתוכנת ניהול המערכת המתאימה כאשר הכיסוי העליון פתוח.
- עד שני ספקי כוח התומכים בחיבור חם במתח של 930-W בתצורה יתירה של 1 + 1.
- שישה מאווררים לקירור המערכת התומכים בחיבור חם.

עצות, הערות ואזהרות

 **עצה:** מציינת מידע חשוב שסייע לך לנצל את המחשב בצורה טובה יותר.

 **הערה:** מציינת אפשרות של נזק לחומרה או אובדן נתונים, ומסבירה כיצד להימנע מהבעיה.

 **זהירות:** מציינת אפשרות של נזק לרכוש, פגיעה גופנית או מוות.

המידע הכלול במסמך זה נתון לשינויים ללא הודעה מוקדמת.
© Dell Inc. 2005 כל הזכויות שמורות.

חל איסור על שעתוק מסמך זה, בכל דרך שהיא, ללא קבלת רשות בכתב מאת Dell Inc.

סימנים מסחריים המופיעים במסמך זה: Dell והלוגו של DELL הם סימנים מסחריים של Dell Inc. ; Intel ו-Xeon הם סימנים מסחריים של Intel Corporation ; Microsoft ו-Windows הם סימנים מסחריים רשומים ו-Windows Server הוא סימן מסחרי של Microsoft Corporation ; Novell ו-NetWare הם סימנים מסחריים רשומים של Novell, Inc. ; Red Hat הוא סימן מסחרי רשום של Red Hat ; Novell, Inc. הוא סימן מסחרי רשום של SUSE LINUX Products GmbH ; SUSE ; Red Hat, Inc.

סימנים מסחריים ושמות מסחריים אחרים המוזכרים במסמך זה מתייחסים לגורמים הטוענים לבעלות על הסימנים ועל השמות, או על המוצרים של גורמים אלה. Dell Inc. מתנערת מכל עניין קנייני בסימני מסחר ובשמות מסחריים, למעט הסימנים והשמות שלה עצמה.

דגם ECM01

מהדורה A00

מק"ט FD152

נובמבר 2005

מערכות Dell™ PowerEdge™ 2900

תחילת העבודה עם המערכת